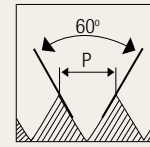




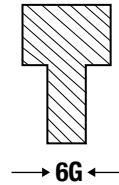
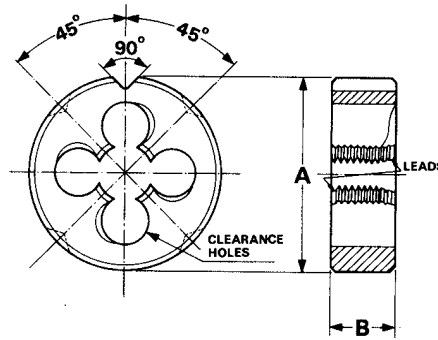
Round Solid Dies

MF

Metric fine threads



HSS **DIN 22568** **6G**



Unit : mm

Nominal Diameter	TPI	Outer Diameter	Thickness	No. Clearance Hole	Threading Diameter	HSS
ØD		A	B			EDP No.
M3.5	0.6	20	5	3	3.43	FBC3202465
M4	0.5	20	5	4	3.92	FBC3202400
M4.5	0.5	20	5	4	4.43	FBC3202466
M5	0.5	20	5	4	4.92	FBC3202405
M5	0.75	20	5	4	4.91	FBC3202406
M5.5	0.75	20	7	4	5.43	FBC3202467
M6	0.5	20	7	4	5.92	FBC3202411
M6	0.75	20	7	4	5.9	FBC3202413
M7	0.75	25	9	4	6.9	FBC3202418
M8	0.5	25	9	4	7.92	FBC3202468
M8	0.75	25	9	4	7.9	FBC3202419
M8	1	25	9	4	7.88	FBC3202421
M9	0.75	25	9	4	8.9	FBC3202469
M9	1	25	9	4	8.88	FBC3202426
M10	0.75	30	11	4	9.9	FBC3202470
M10	1	30	11	5	9.88	FBC3202428
M10	1.25	30	11	4	9.86	FBC3202430
M11	0.75	30	11	5	10.91	FBC3202471
M11	1	30	11	4	10.88	FBC3202435
M12	1	38	10	4	11.88	FBC0202551
M12	1.25	38	10	4	11.86	FBC3202439
M12	1.5	38	10	4	11.85	FBC3202441
M14	1	38	10	5	13.88	FBC3202447

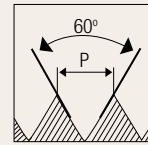
DIES



Round Solid Dies

MF

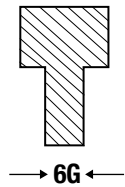
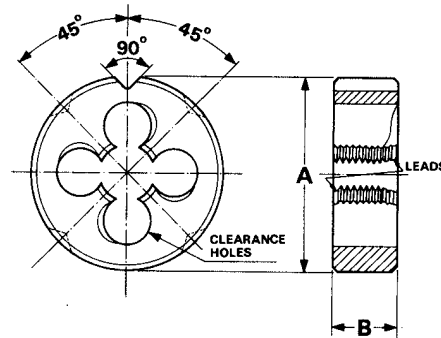
Metric fine threads



HSS

DIN 22568

6G



Unit : mm

Nominal Diameter ØD	TPI	Outer Diameter	Thickness	No. Clearance Hole	Threading Diameter	HSS
		A	B			EDP No.
M14	1.5	38	10	5	13.85	FBC3202449
M15	1	38	10	5	14.88	FBC3202472
M15	1.5	38	10	5	14.85	FBC3202473
M16	1	45	14	5	15.88	FBM3200276
M16	1.5	45	14	5	15.85	FBM3200277
M17	1	45	14	5	16.88	FBC3202474
M17	1.5	45	14	5	16.85	FBC3202475
M18	1	45	14	5	17.88	FBM3200280
M18	1.5	45	14	5	17.85	FBM3200281
M18	2	45	14	5	17.82	FBC3202476
M20	1	45	14	6	19.8	FBM3200283
M20	1.5	45	14	6	19.85	FBM3200284
M20	2	45	14	6	19.82	FBM3200285
M22	1	55	16	6	21.88	FBM2400492
M22	1.5	55	16	6	21.85	FBM3200288
M22	2	55	16	6	21.82	FBC3202477
M24	1	55	16	6	21.88	FBM3200289
M24	1.5	55	16	6	23.85	FBM3200290
M24	2	55	16	6	23.82	FBM2400496
M25	1	55	16	6	24.88	FBM2400627
M25	1.5	55	16	6	24.85	FBM2400498
M25	2	55	16	6	24.82	FBM2400628
M26	1.5	55	16	6	25.85	FBM2400629

DIES