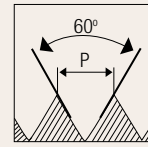


# NPT

## National taper pipe threads

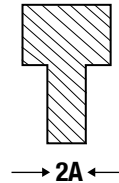
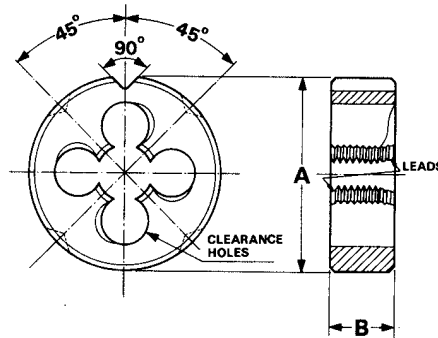


HSS

CS

BS  
1127

2A



Unit : mm

Nominal Diameter	TPI	Outer Diameter A	Thickness B	No. Clearance Hole	Threading Diameter	HSS	Carbon Steel
						EDP No.	EDP No.
1/8"	27	1"	10	4		FBM2300162	FBM2300449
1/8"	27	1.1/2"	10	4		FBM2300163	FBM2300450
1/4"	18	1.1/2"	15	4		FBM2300164	FBM2300453
3/8"	18	1.1/2"	15	5		FBM2300165	FBM2300456
3/8"	18	2"	14	5		FBM2300166	FBM2300457
1/2"	14	2"	19	5		FBM2300167	FBM2300459
3/4"	14	2"	20	6		FBM2300168	FBM2300461
3/4"	14	2.1/2"	22	6		FBM2300169	FBM2300462
1"	11.1/2	2.1/2"	25	6		FBM2300171	FBM2300464
1"	11.1/2	3"	25	6		FBM2300172	FBM2300465
1.1/4"	11.1/2	3"	25	6		FBM2300173	FBM2300467
1.1/2"	11.1/2	4"	25	6		FBM2300174	FBM2300468
2"	11.1/2	4"	27	6		FBM2300175	FBM2300469