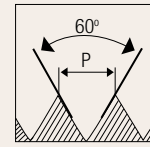




Round Split Dies

UNF

Unified fine threads

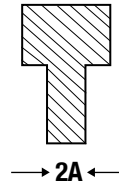
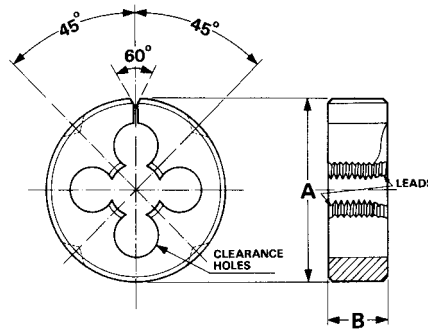


HSS

CS

BS
1127

2A



Unit : mm

Nominal Diameter	TPI	Outer Diameter	Thickness	No. Clearance Hole	Threading Diameter	HSS	Carbon Steel
						EDP No.	EDP No.
ØD		A	B				
# 3	56	13/16"	1/4"	3		FBC0200437	FBB0200498
# 4	48	13/16"	1/4"	3	2.83	FBC0200443	FBB0200502
# 5	44	13/16"	1/4"	3	3.16	FBC0200449	FBB0200506
# 6	40	13/16"	1/4"	3	3.48	FBC0200465	FBB0200514
# 8	36	13/16"	1/4"	3	4.14	FBC0200476	FBB0200522
# 10	32	13/16"	1/4"	3	4.8	FBC0200487	FBB0200530
# 12	28	13/16"	1/4"	4	5.46	FBC0200498	FBB0200542
1/4"	28	13/16"	1/4"	4	6.32	FBC0200515	FBB0200550
1/4"	28	1"	3/8"	4	6.32	FBC0200527	FBB0200558
5/16"	24	1"	3/8"	4	7.9	FBC0200538	FBB0200578
3/8"	24	1"	3/8"	4	9.48	FBC0200560	FBB0200599
7/16"	20	1.1/2"	1/2"	4	11.06	FBC0200586	FBB0200627
1/2"	20	1.1/2"	1/2"	5	12.65	FBC0200607	FBB0200647
9/16"	18	1.1/2"	1/2"	5	14.23	FBC0200618	FBB0200660
5/8"	18	1.1/2"	1/2"	5	15.82	FBC0200629	FBB0200669
3/4"	16	1.1/2"	1/2"	6	18.99	FBC0200646	FBB0200682

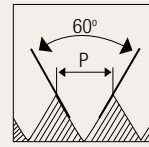
DIES



Round Split Dies

UNF

Unified fine threads

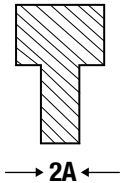
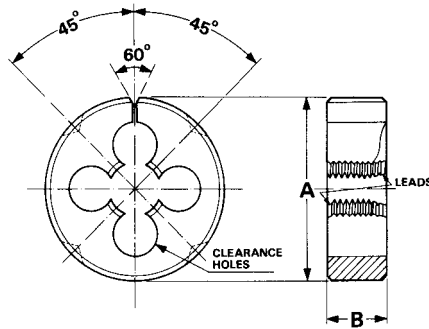


HSS

CS

BS
1127

2A



Unit : mm

Nominal Diameter ØD	Pitch TPI	Outer Diameter A	Thickness B	No. Clearance Hole	Threading Diameter	HSS	Carbon Steel
						EDP No.	EDP No.
7/8"	14	2"	5/8"	5	22.13	FBC0200658	FBB0200690
1"	12	2"	5/8"	6	25.31	FBC0200664	FBB0200694
1.1/8"	12	2.1/4"	11/16"	6		FBM2300034	FBM2300314
1.1/4"	12	2.1/4"	11/16"	6		FBM2300037	FBM2300317
1.3/8"	12	2.1/2"	7/8"	6		FBM2300041	-
1.1/2"	12	2.1/2"	7/8"	6		FBM2300043	FBM2300319
1.1/2"	12	3"	7/8"	6		FBM2300044	FBM2300320
1.3/4"	14	4"	1"	6		FBM2300046	FBM2300647
2"	-	4"	1"	6		FBM2300047	FBM2300321

DIES