



High Performance Cutting Tools

CARBON STEEL HAND TAPS DIES & DIE NUTS



FORBES PRECISION TOOLS AND MACHINE PARTS LIMITED



FORBES PRECISION TOOLS AND MACHINE PARTS LIMITED

ABOUT US

Forbes Precision Tools and Machine Parts Limited manufacturers both carbide and high-speed steel round cutting tools under the brand 'TOTEM'.

Totem offers complete tooling solutions in Internal & External Threading, Drilling, Milling, Deburring and Reaming and as on date has over.

60 years of expertise of manufacturing high precision round cutting tools These tools are manufactured in a state-of-the-art manufacturing facility at Aurangabad India.

FPTMPL provides tooling solutions for a wide variety of industry sectors, including automotive, oil & gas, aerospace, defence, valve & pump, mold & die, heavy engineering, and electrical & electronics. These solutions are designed with material-specific geometries to optimize tool performance, ensuring maximum efficiency and longevity for the end-user.

Our range of products include HSS Hand and Machine Taps, Carbide Thread Mills and Taps, Solid Carbide Endmills and Drills, Tungsten Carbide Rotary Burrs, HSS Drills, Carbon Steel Taps, HSS and Carbon Steel Round and Hexagonal Dies. We are also the largest manufacturer of Spring lock washers in India serving major auto and transmission segments.

QUALITY POLICY

We will continue to delight our customers by delivering high quality, innovative products and solutions through excellent manufacturing practises, its effective monitoring, sustenance, and further continual improvements of all business processes by active participation of all our associates.

We will remain committed towards Safety, Environment and Statutory Compliance.

CERTIFICATE
 Certificate Registration No: 951 21 5423
 The Certification Body of
TÜV SÜD AMERICA INC.
 Certifies that the organization
FORBES PRECISION TOOLS AND MACHINE PARTS LIMITED
 Solid Carbide Tool Division, B-13 MIDC, Aurangabad, Maharashtra, 431133 India
 for the scope
Manufacture & Supply of Solid Carbide Tools
 has established and applies a Quality Management System.
 An audit was performed and has furnished proof that the requirements according to
AS 9100D and ISO 9001:2015
 are fulfilled.
 The certificate is valid from October 27, 2024 until October 26, 2027
 With a re-issue date on N/A

Certificate IATF 16949:2016
 Certificate IN22/0000767
 The management system of
Forbes Precision Tools and Machine Parts Limited
 B-13 MIDC Area, Wala, Chhatrapati Sambhaji Maharaj, 431133, Maharashtra, India
 has been assessed and certified as meeting the requirements of
IATF 16949:2016
 Edition 1
 For the following Scope
 Manufacture of spring lock washers

EXCLUSIONS : I & J Product Design
 3 Year certification is valid from 21 November 2022 until 20 November 2025 and remains valid subject to satisfactory surveillance audits
 Version no. 3, Current version updated 09 May 2024

Certificate IN24/0000589
 The management system of
Forbes Precisions Tools & Machine Parts Ltd
 B-13, Wala MIDC, Aurangabad - 431133, Maharashtra, India
 has been assessed and certified as meeting the requirements of
ISO 9001:2015
 For the following activities:
 HSTHPT - Design, Development, Manufacture & Supply of high-speed steel Taps/high performance Taps as per national and international standards and customer requirements
 SW - Manufacture & Supply of spring lock washers
 SCT - Design, Development, Manufacture & supply of solid carbide tools as per national and international standards and customer requirements
 YCRB - Manufacture & Supply of Tungsten Carbide Rotary Burrs as per national and international standards and customer requirements
 CST - Manufacture & Supply of High Carbon steel Taps, High carbon steel Thread cutting dies and High-speed steel Thread cutting dies as per national / international standards and customer requirements
 HSSD - Manufacture & Supply of High-Speed Steel Dies as per national / international standards and customer requirements
 Hand Tools - Manufacturing & Supply of Hand tools

This certificate is valid from 17 July 2024 until 17 July 2027 and remains valid subject to satisfactory surveillance audits
 Issued / Certified since 17 July 2024



High Performance Cutting Tools



CARBON STEEL HAND TAPS

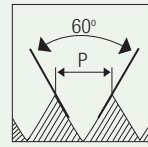
CONTENTS

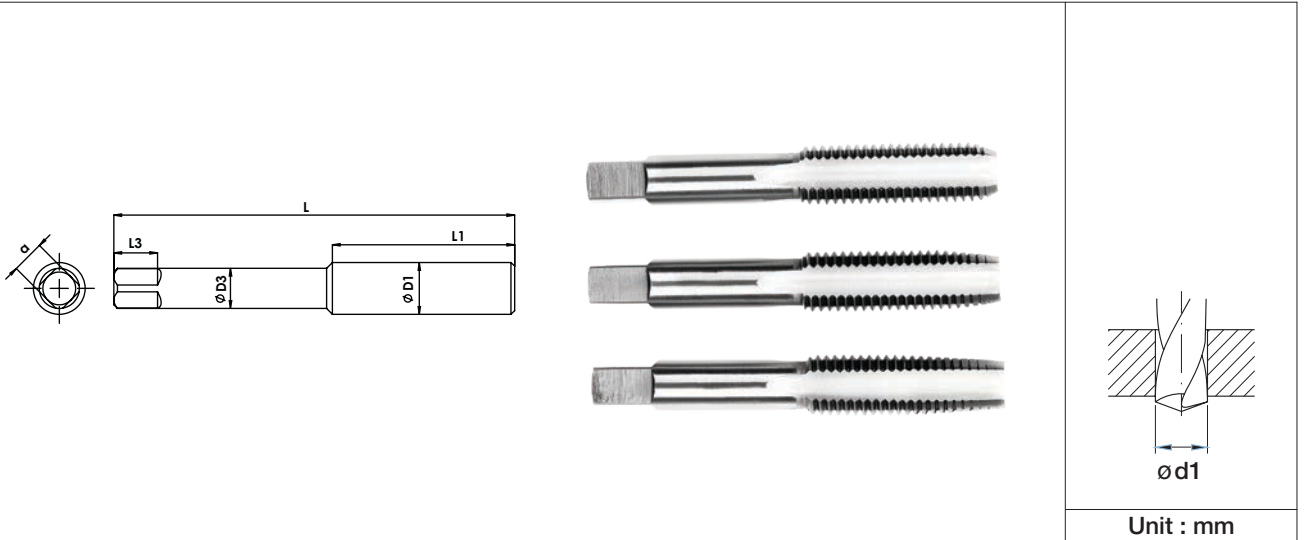
CARBON STEEL HAND TAPS

THREAD FORM	BLANK STANDARD	TOLERANCE	CHAMFER	PAGE
M	BS 949	Zone 5	T/S/B	7.003
MF	BS 949	Zone 5	T/S/B	7.005
BSW	BS 949	Zone 5	T/S/B	7.007
BSF	BS 949	Zone 5	T/S/B	7.009
BA	BS 949	Zone 5	T/S/B	7.010
BSB	BS 949	Zone 5	T/S/B	7.011
BS Con	BS 949	Zone 5	T/B	7.012
ME	BS 949	Zone 5	T/S/B	7.013
BS Cy	BS 949	Zone 5	T/S/B	7.014
WF	BS 949	Zone 5	T/S/B	7.015
BSP	BS 949	Zone 5	T/B	7.016
BSPT	BS 949	Zone 5	T/B	7.017
UNC	ANSI 94.9	2B	T/S/B	7.018
UNF	ANSI 94.9	2B	T/S/B	7.019
NPT	ANSI 94.9	2B	T/B	7.021
NPS	ANSI 94.9	2B	T/B	7.022
UNS	ANSI 94.9	2B	T/S/B	7.023

M

Metric coarse threads


HOLE TYPE

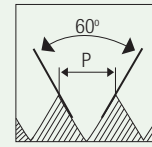
CS
**BS
949**
**ZONE
5**


Unit : mm

Nominal Diameter	Pitch	Overall Length	Thread Length	Shank Diameter	Square Size	Square Length	Tapping Drill Diameter	EDP No.
ØD1	p	L	L1	ØD3	a	L3	Ø d1	
M 2	0.4	44.03	11.5	3.25	2.58	4.46	1.6	FBA0204977
M 2.2	0.45	45.72	15	3.25	2.58	4.46	1.75	FBA0205005
M 2.5	0.45	47.51	15	3.25	2.58	4.46	2.05	FBA0205061
M 3	0.5	49.4	17	3.25	2.58	4.46	2.5	FBA0205117
M 3.5	0.6	52.85	20.6	3.66	2.86	4.46	2.9	FBA0205174
M 4	0.7	56.33	22.5	4.22	3.26	6.05	3.3	FBA0205231
M 4.5	0.75	62.99	26.6	4.8	3.69	6.05	3.7	FBA0205318
M 5	0.8	63.29	26.6	5.41	4.15	6.05	4.2	FBA0205404
M 6	1	67.04	30.7	6.15	4.71	6.84	5	FBA0205632
M 7	1	67.68	30.7	7.21	5.5	7.64	6	FBA0205716
M 8	1.25	69.85	30.5	8.2	6.23	8.43	6.8	FBA0205831
M 9	1.25	74.61	33.7	9.12	6.9	10.02	7.8	FBA0205943
M 10	1.5	74.61	33.7	10.29	7.73	10.02	8.5	FBA0206091
M 11	1.5	80.17	36.5	8.2	6.06	10.02	9.5	FBA0206204
M 12	1.75	85.83	42.1	9.32	6.9	10.81	10.2	FBA0206356
M 14	2	91.28	42	10.91	8.07	12.4	12	FBA0206560

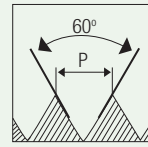
M

Metric coarse threads

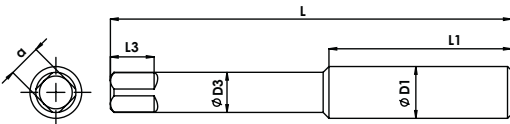

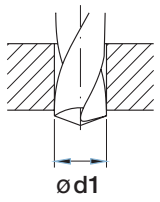

HOLE TYPE

CS
**BS
949**
**ZONE
5**


								Unit : mm
Nominal Diameter	Pitch	Overall Length	Thread Length	Shank Diameter	Square Size	Square Length	Tapping Drill Diameter	EDP No.
ØD1	p	L	L1	ØD3	a	L3	Ø d1	
M 16	2	96.84	46	12.2	9.04	13.99	14	FBA0206759
M 18	2.5	102.4	46	13.78	10.2	15.58	15.5	FBA0206986
M 20	2.5	107.95	50.8	15	11.12	17.16	17.5	FBA0207100
M 22	2.5	119.06	56.4	17.71	13.17	18.75	19.5	FBA0207215
M 24	3	124.62	56.35	19.31	14.37	18.75	21	FBA0207359
M 27	3	129.8	63.5	20.35	15.13	20.2	24	FBA0207559
M 30	3.5	137.8	65	22.79	16.96	21.9	26.5	FBA0207815
M 33	3.5	145.8	65	25.98	19.34	25.2	29.5	FBA0208015
M 36	4	153.8	76	28.17	20.99	26.7	32	FBA0208155
M 39	4	161.8	76	31.35	23.38	28.2	35	FBA0208211
M 42	4.5	169.8	81	33.18	24.75	28.2	37.5	FBA0208295
M 45	4.5	177.8	81	36.35	27.12	31.7	40.5	FBA0208323
M 48	5	185.3	90.5	38.61	28.82	31.7	43	FBA0208351
M 52	5	193.3	90.5	38.61	28.82	31.7	47	FBA0208407

MF
Metric fine threads

HOLE TYPE

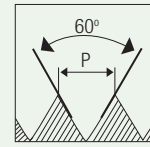
CS
**BS
949**
**ZONE
5**
T/S/B

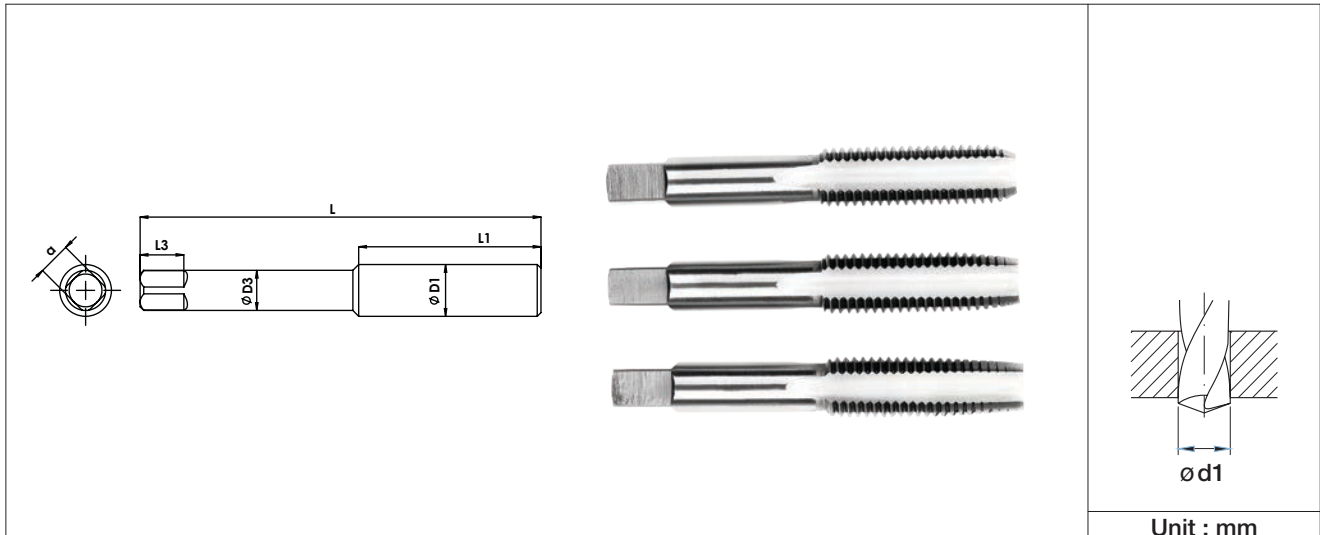
  								EDP No.
Nominal Diameter	Pitch	Overall Length	Thread Length	Shank Diameter	Square Size	Square Length	Tapping Drill Diameter	Unit : mm
ØD1	p	L	L1	ØD3	a	L3	Ø d1	
M 2.3	0.4	45.81	15.00	3.25	2.58	4.46	1.9	FBA0205033
M 2.6	0.45	49.16	17.00	3.25	2.58	4.46	2.1	FBA0205089
M 3	0.6	49.36	17.00	3.25	2.58	4.46	2.4	FBA0205146
M 4	0.5	56.33	22.50	4.22	3.26	6.05	3.5	FBA0205202
M 4	0.75	56.33	22.50	4.22	3.26	6.05	3.25	FBA0205259
M 5	0.5	63.29	26.60	5.41	4.15	6.05	4.5	FBA0205346
M 5	0.9	63.29	26.60	5.41	4.15	6.05	4.1	FBA0205432
M 5.5	0.9	63.58	26.60	5.61	4.30	6.05	4.6	FBA0205517
M 6	0.75	67.13	30.70	6.15	4.71	6.84	5.2	FBA0205573
M 8	0.75	69.85	30.50	8.20	6.23	8.43	7.2	FBA0205772
M 8	1	69.85	30.50	8.20	6.23	8.43	7	FBA0205800
M 9	1	74.61	33.70	9.12	6.90	10.02	8	FBA0205915
M 10	0.75	74.61	33.70	10.29	7.73	10.02	9.2	FBA0205999
M 10	1	74.61	33.70	10.29	7.73	10.02	9	FBA0206027
M 10	1.25	74.61	33.70	10.29	7.73	10.02	8.8	FBA0206059
M 12	1	76.20	31.75	9.32	6.90	10.81	11	FBA0206260
M 12	1.25	76.20	31.75	9.32	6.90	10.81	10.75	FBA0206292
M 12	1.5	85.83	42.1	9.32	6.9	10.81	10.5	FBA0206324
M 14	1.25	76.20	31.75	10.91	8.07	12.40	12.75	FBA0206497
M 14	1.5	91.28	42	10.91	8.07	12.4	12.5	FBA0206529

CS TAPS

MF

Metric fine threads


HOLE TYPE

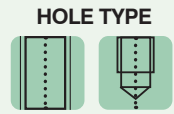
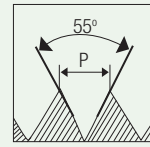
CS
**BS
949**
**ZONE
5**


Unit : mm

Nominal Diameter	Pitch	Overall Length	Thread Length	Shank Diameter	Square Size	Square Length	Tapping Drill Diameter	EDP No.
ØD1	p	L	L1	ØD3	a	L3	Ø d1	
M 16	1	76.20	31.75	12.20	9.04	13.99	15	FBA0206672
M 18	1.5	76.20	31.75	13.78	10.20	15.58	16.5	FBA0206927
M 20	1	82.55	38.10	15.00	11.12	17.16	19	FBA0207014
M 22	1.5	82.55	38.10	17.71	13.17	18.75	20.5	FBA0207156
M 24	1.5	82.55	38.10	19.31	14.37	18.75	22.5	FBA0207271
M 25	1.5	82.55	38.10	20.33	15.13	20.34	23.5	FBA0207387
M 26	1.5	82.35	38.10	20.35	15.13	20.20	24.5	FBA0207445
M 27	1.5	82.35	38.10	20.35	15.13	20.20	25.5	FBA0207501
M 28	1.5	101.40	38.10	21.21	15.77	20.30	26.5	FBA0207615
M 30	1.5	101.40	38.10	22.79	16.96	21.90	28.5	FBA0207700
M 30	2	101.40	38.10	22.79	16.96	21.90	28	FBA0207729
M 32	1.5	101.40	38.10	25.98	19.34	25.20	31.5	FBA0207871
M 40	1.5	101.40	38.10	31.35	23.38	28.20	38	FBA0208239

BSW

Whitworth coarse threads

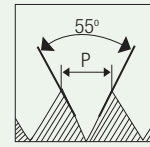

CS
BS 949
ZONE 5


Nominal Diameter	TPI	Overall Length	Thread Length	Shank Diameter	Square Size	Square Length	Tapping Drill Diameter	EDP No.
ØD1		L	L1	ØD3	a	L3	Ø d1	
1/16"	60	42.19	10.5	3.25	2.58	4.46	-	FBA0200001
3/32"	48	47.41	15	3.25	2.58	4.46	-	FBA0200029
1/8"	40	51.05	18.8	3.25	2.58	4.46	-	FBA0200057
5/32"	32	56.28	22.3	4.04	3.03	6.05	-	FBA0200085
3/16"	24	63.04	26.6	4.8	3.69	6.05	3.7	FBA0200113
7/32"	24	63.56	26.6	5.61	4.3	6.05	4.5	FBA0200141
1/4"	20	67.17	30.7	6.43	4.91	6.84	5.1	FBA0200169
9/32"	20	67.68	30.7	7.21	5.5	7.64	5.8	FBA0200197
5/16"	18	69.85	30.5	8	6.06	8.43	6.5	FBA0200225
3/8"	16	74.61	33.7	9.58	7.38	10.02	7.9	FBA0200253
7/16"	14	80.17	36.5	8.2	6.06	10.02	9.3	FBA0200281
1/2"	12	85.83	42.1	9.32	6.9	10.81	10.5	FBA0200309
9/16"	12	91.28	42	10.91	8.07	12.4	12.1	FBA0200338
5/8"	11	96.84	46	12.2	9.04	13.99	13.5	FBA0200366
11/16"	11	102.4	46	13.78	10.2	15.58	15	FBA0200394

CS TAPS

BSW

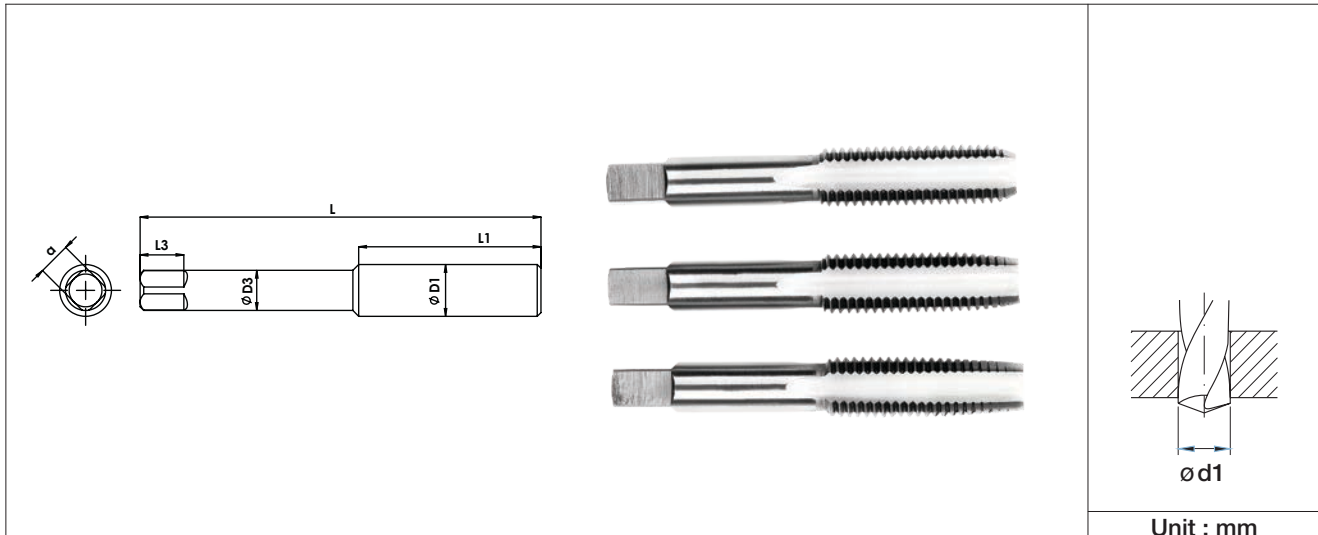
Whitworth coarse threads



HOLE TYPE



CS BS 949 ZONE 5 T/S/B

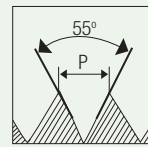


Unit : mm

Nominal Diameter	TPI	Overall Length	Thread Length	Shank Diameter	Square Size	Square Length	Tapping Drill Diameter	EDP No.
ØD1		L	L1	ØD3	a	L3	Ø d1	
3/4"	10	107.95	50.8	15	11.12	17.16	16.25	FBA0200422
7/8"	9	119.06	56.4	17.71	13.18	18.75	19.25	FBA0200478
1"	8	130.18	63.5	20.33	15.13	20.34	22	FBA0200534
1.1/8"	7	137.8	65	22.79	16.96	21.7	24.75	FBA0200562
1.1/4"	7	145.8	65	25.96	19.34	25.2	28	FBA0200590
1.3/8"	6	153.8	76	28.17	20.99	26.7	31	FBA0200618
1.1/2"	6	161.8	76	31.35	23.38	28.2	33.5	FBA0200646
1.3/4"	5	177.8	81	36.35	27.12	31.7	39	FBA0200702
2"	4.5	193.3	90.5	41.79	31.21	34.7	44.5	FBA0200758

BSF

Whitworth fine threads


HOLE TYPE

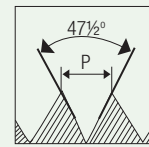
CS
**BS
949**
**ZONE
5**
T/S/B

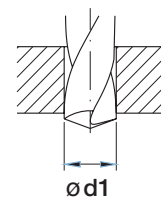
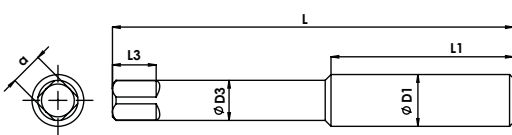
Nominal Diameter	TPI	Overall Length	Thread Length	Shank Diameter	Square Size	Square Length	Tapping Drill Diameter	EDP No.
ØD1		L	L1	ØD3	a	L3	Ø d1	
3/16"	32	63.15	26.6	4.8	3.69	6.05	4	FBA0200842
7/32"	28	63.61	26.6	5.61	4.3	6.05	4.6	FBA0200870
1/4"	26	67.27	30.7	6.43	4.91	6.84	5.3	FBA0200898
9/32"	26	67.79	30.7	7.21	5.5	7.64	6.1	FBA0200926
5/16"	22	69.85	30.5	8	6.06	8.43	6.8	FBA0200954
3/8"	20	74.61	33.7	9.58	7.38	10.02	8.3	FBA0200982
7/16"	18	80.17	36.5	8.2	6.06	10.02	9.7	FBA0201011
1/2"	16	85.83	42.1	9.32	6.9	10.81	11.1	FBA0201039
9/16"	16	91.28	42	10.91	8.07	12.4	12.7	FBA0201067
5/8"	14	96.84	46	12.2	9.04	13.99	14	FBA0201095
11/16"	14	102.4	46	13.78	10.19	15.58	15.5	FBA0201123
3/4"	12	107.95	50.8	15	11.12	17.16	16.75	FBA0201151
7/8"	11	119.06	56.4	17.71	13.18	18.75	19.75	FBA0201207
1"	10	130.18	63.5	20.33	15.13	20.34	22.75	FBA0201263
1.1/8"	9	137.8	65	22.79	16.96	21.7	25.5	FBA0201291
1.1/4"	9	145.8	65	25.96	19.34	25.2	28.5	FBA0201319
1.3/8"	8	153.8	76	28.17	20.99	26.7	31.5	FBA0201347
1.1/2"	8	161.8	76	31.35	23.38	28.2	34.5	FBA0201375

CS TAPS

BA

British association threads


HOLE TYPE

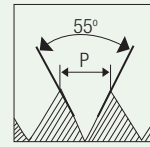
CS
**BS
949**
**ZONE
5**
T/S/B


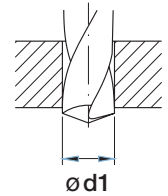
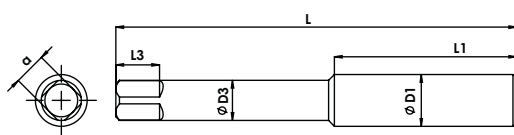
Unit : mm

Nominal Diameter	p	Overall Length	Thread Length	Shank Diameter	Square Size	Square Length	Tapping Drill Diameter	EDP No.
ØD1		L	L1	ØD3	a	L3	Ø d1	
# 12	0.28	42.00	10.50	3.25	2.58	4.46	1.05	FBA0209359
# 11	0.31	42.08	10.50	3.25	2.58	4.46	1.2	FBA0209387
# 10	0.35	42.29	11.50	3.25	2.58	4.46	1.4	FBA0209415
# 9	0.39	43.98	11.50	3.25	2.58	4.46	1.55	FBA0209443
# 8	0.43	45.76	15.00	3.25	2.58	4.46	1.8	FBA0209471
# 7	0.48	47.52	15.00	3.25	2.58	4.46	2.05	FBA0209499
# 6	0.53	49.29	17.00	3.25	2.58	4.46	2.3	FBA0209527
# 5	0.59	51.11	18.80	3.25	2.58	4.46	2.65	FBA0209555
# 4	0.66	52.92	20.60	3.66	2.86	4.46	3	FBA0209583
# 3	0.73	56.42	22.50	4.22	3.26	6.05	3.4	FBA0209611
# 2	0.81	63.13	26.60	4.80	3.69	6.05	4	FBA0209639
# 1	0.9	63.47	26.60	5.41	4.15	6.05	4.5	FBA0209667
# 0	1	67.07	30.70	6.15	4.71	6.84	5.1	FBA0209695

BSB

British brass threads


HOLE TYPE

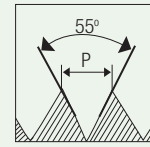
CS
**BS
949**
**ZONE
5**
T/S/B


Unit : mm

Nominal Diameter	TPI	Overall Length	Thread Length	Shank Diameter	Square Size	Square Length	Tapping Drill Diameter	EDP No.
ØD1		L	L1	ØD3	a	L3	Ød1	
1/4"	26	67.27	30.7	6.43	4.91	6.84	5.3	FBA0201487
5/16"	26	69.85	30.5	8	6.06	8.43	6.9	FBA0201515
3/8"	26	74.61	33.7	9.58	7.38	10.02	8.4	FBA0201543
7/16"	26	76.2	31.75	8.2	6.06	10.02	9.9	FBA0201571
1/2"	26	76.2	31.75	9.32	6.9	10.81	11.5	FBA0201599
9/16"	26	76.2	31.75	10.91	8.07	12.4	13.1	FBA0201627
5/8"	26	76.2	31.75	12.2	9.04	13.99	14.65	FBA0201655
3/4"	26	82.55	38.1	15	11.12	17.16	17.86	FBA0201683
1"	26	82.55	38.1	20.33	15.13	20.34	17.86	FBA0201711

BS Con

British conduit threads

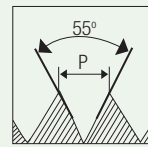


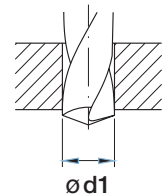
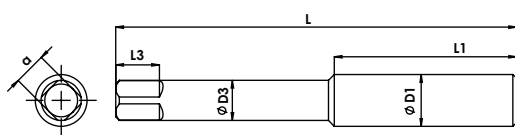
HOLE TYPE



CS BS 949 ZONE 5 T/B

								Unit : mm
Nominal Diameter	TPI	Overall Length	Thread Length	Shank Diameter	Square Size	Square Length	Tapping Drill Diameter	EDP No.
ØD1		L	L1	ØD3	a	L3	Ø d1	
1/2"	18	76.2	31.75	9.32	6.9	10.81	11.1	FBA0209023
5/8"	18	76.2	31.75	12.2	9.04	13.99	14	FBA0209051
3/4"	16	82.55	38.1	15	11.12	17.16	17.5	FBA0209079
1"	16	82.55	38.1	20.33	15.13	20.34	23.5	FBA0209107


Model engineer threads

HOLE TYPE

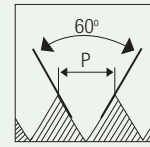
CS
**BS
949**
**ZONE
5**


Unit : mm

Nominal Diameter	TPI	Overall Length	Thread Length	Shank Diameter	Square Size	Square Length	Tapping Drill Diameter	EDP No.
ØD1		L	L1	ØD3	a	L3	Ø d1	
1/8"	40	51.05	18.8	3.25	2.58	4.46	2.55	FBA0203295
5/32"	40	56.34	22.5	4.04	3.03	6.05	3.25	FBA0203323
3/16"	40	63.21	26.6	4.8	3.69	6.05	4.1	FBA0203351
7/32"	40	63.73	26.6	5.61	4.3	6.05	4.9	FBA0203379
1/4"	40	67.4	30.7	6.43	4.91	6.84	5.8	FBA0203407
9/32"	32	67.87	30.7	7.21	5.5	7.64	6.1	FBA0203435
5/16"	32	69.85	30.5	8	6.06	8.43	7.1	FBA0203463
3/8"	32	74.61	33.7	9.58	7.38	10.02	8.6	FBA0203491

BS Cy

British cycle threads



HOLE TYPE



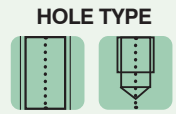
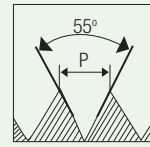
CS

BS
949

ZONE
5



Nominal Diameter	TPI	Overall Length	Thread Length	Shank Diameter	Square Size	Square Length	Tapping Drill Diameter	EDP No.
ØD1		L	L1	ØD3	a	L3	Ø d1	
3/16"	32	63.21	26.6	4.8	3.69	6.05	4.1	FBA0208435
1/4"	26	67.36	30.7	6.43	4.91	6.84	5.6	FBA0208491
5/16"	26	69.85	30.5	8	6.06	8.43	7.1	FBA0208519
3/8"	26	74.61	33.7	9.58	7.38	10.02	8.7	FBA0208547
7/16"	26	76.2	31.75	8.2	6.06	10.02	10.3	FBA0208575
1/2"	26	76.2	31.75	9.32	6.9	10.81	11.9	FBA0208603

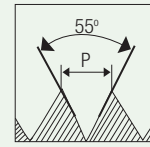
WF
Whitworth fine threads special

CS
**BS
949**
**ZONE
5**
T/S/B

Nominal Diameter	TPI	Overall Length	Thread Length	Shank Diameter	Square Size	Square Length	Tapping Drill Diameter	EDP No.
ØD1		L	L1	ØD3	a	L3	Ø d1	
3/16"	28	63.1	26.6	4.8	3.69	6.05	-	FBA0204641
7/32"	32	63.73	26.6	5.61	4.3	6.05	-	FBA0204669
1/4"	32	67.36	30.7	6.43	4.91	6.84	5.6	FBA0204697
5/16"	40	69.85	30.5	8	6.06	8.43	7.3	FBA0204753
3/8"	40	74.61	33.7	9.58	7.38	10.02	8.9	FBA0204809
7/16"	40	76.2	31.75	8.2	6.06	10.02	-	FBA0204837
7/16"	32	76.2	31.75	8.2	6.06	10.02	-	FBA0204865
1/2"	40	76.2	31.75	9.32	6.9	10.81	-	FBA0204893
1/2"	32	76.2	31.75	9.32	6.9	10.81	-	FBA0204921
11/64"	40	62.95	26.60	4.80	3.76	6.35	-	FBA0204473
11/64"	48	63	26.60	4.80	3.76	6.35	-	FBA0204501
15/64"	28	67.04	30.70	6.15	4.78	7.14	-	FBA0204585
15/64"	40	67.18	30.70	6.15	4.78	7.14	-	FBA0204613

CS TAPS

BSP

British standard pipe threads



HOLE TYPE



CS

BS
949

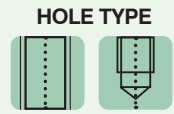
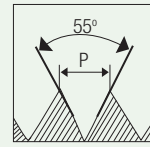
ZONE
5



								Unit : mm
Nominal Diameter	TPI	Overall Length	Thread Length	Shank Diameter	Square Size	Square Length	Tapping Drill Diameter	EDP No.
ØD1		L	L1	ØD3	a	L3	Ø d1	
1/8"	28	53.98	19.05	8.08	5.96	7.64	8.8	FBA0208631
1/4"	19	61.91	26.99	10.91	8.07	10.81	11.8	FBA0208659
3/8"	19	65.09	26.99	13.78	10.2	12.4	15.25	FBA0208687
1/2"	14	79.38	34.92	17.46	12.97	15.58	19	FBA0208715
5/8"	14	80.96	34.92	20.33	15.13	17.16	21	FBA0208743
3/4"	14	82.55	34.92	22.99	17.14	17.16	24.5	FBA0208771
7/8"	14	88.9	39.69	27.74	20.51	18.75	28.25	FBA0208799
1"	11	95.25	44.45	28.56	21.3	20.34	30.75	FBA0208827
1.1/4"	11	101.3	44.5	33.35	24.88	23.7	39.5	FBA0208883
1.1/2"	11	107.8	44.5	38.13	28.46	25.2	45	FBA0208939
1.3/4"	11	110.8	44.5	41.3	30.82	26.7	51	FBA0208967
2"	11	114.3	44.5	47.65	35.54	28.2	57	FBA0208995

BSPT

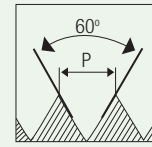
British standard taper pipe threads

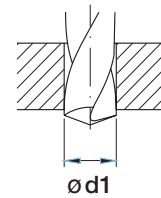
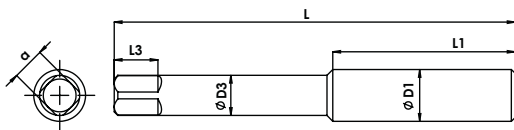


								Unit : mm
Nominal Diameter	TPI	Overall Length	Thread Length	Shank Diameter	Square Size	Square Length	Tapping Drill Diameter	EDP No.
ØD1		L	L1	ØD3	a	L3	Ød1	
1/8"	28	54	19.1	8.08	6.05	7.9	8.4	FBA0209135
1/4"	19	61.9	27	10.9	8.18	11.1	11.5	FBA0209163
3/8"	19	65.1	27	13.77	10.31	12.7	14.75	FBA0209191
1/2"	14	79.4	34.9	17.45	13.08	15.9	18.25	FBA0209219
5/8"	14	81	34.9	20.32	15.24	17.5	20.25	FBA0211009
3/4"	14	82.6	34.9	23.01	17.25	17.5	23.4	FBA0209247
1"	11	95.3	44.5	28.58	21.41	20.6	29.75	FBA0209275
1.1/4"	11	101.6	44.5	33.32	24.99	23.8	38.1	FBA0209303
1.1/2"	11	108	44.5	38.1	28.58	25.4	44.5	FBA0209331
2"	11	114.3	44.5	47.63	35.71	28.6	56.4	FBA0211037

UNC

Unified coarse threads


HOLE TYPE

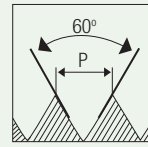
CS
**BS
949**
2B


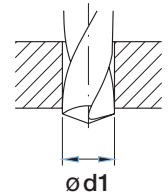
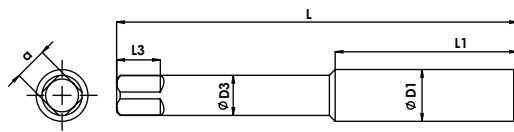
Unit : mm

Nominal Diameter	TPI	Overall Length	Thread Length	Shank Diameter	Square Size	Square Length	Tapping Drill Diameter	EDP No.
ØD1		L	L1	ØD3	a	L3	Ø d1	
# 4	40	49.26	17	3.58	2.7	4.46	2.35	FBA0202566
# 5	40	51.04	18.8	3.58	2.7	4.46	2.65	FBA0202622
# 6	32	52.79	20.6	3.58	2.7	4.46	2.85	FBA0202650
# 8	32	56.39	22.5	4.27	3.24	6.05	3.5	FBA0202706
# 10	24	63.07	26.6	4.93	3.77	6.05	3.9	FBA0202734
# 12	24	63.5	28.5	5.61	4.1	6.84	4.5	FBA0202790
1/4"	20	67.15	30.7	6.48	4.76	7.64	5.1	FBA0202818
5/16"	18	73.68	35.2	8.08	5.96	9.23	6.6	FBA0202846
3/8"	16	74.61	33.7	9.68	7.17	10.81	8	FBA0202874
7/16"	14	80.17	36.5	8.2	6.06	10.02	9.4	FBA0202902
1/2"	13	85.83	42.1	9.32	6.9	10.81	10.8	FBA0202930
9/16"	12	91.28	42	10.91	8.07	12.4	12.2	FBA0202958
5/8"	11	96.84	46	12.2	9.04	13.99	13.5	FBA0202986
3/4"	10	107.95	50.8	15	11.12	17.16	16.5	FBA0203042
7/8"	9	119.06	56.4	17.71	13.18	18.75	19.5	FBA0203070
1"	8	130.18	63.5	20.33	15.13	20.34	22.25	FBA0203098
1.1/8"	7	137.8	65	22.79	16.96	21.7	25	FBA0203126
1.1/4"	7	145.8	65	25.96	19.34	25.2	28	FBA0203155
1.3/8"	6	153.8	76	28.17	20.99	26.7	30.75	FBA0203183
1.1/2"	6	161.8	76	31.35	23.38	28.2	34	FBA0203211
1.3/4"	5	177.8	81	36.35	27.12	31.7	39.5	FBA0203239
2"	4.1/2	193.7	90.5	41.79	31.21	34.7	45	FBA0203267

UNF

Unified fine threads

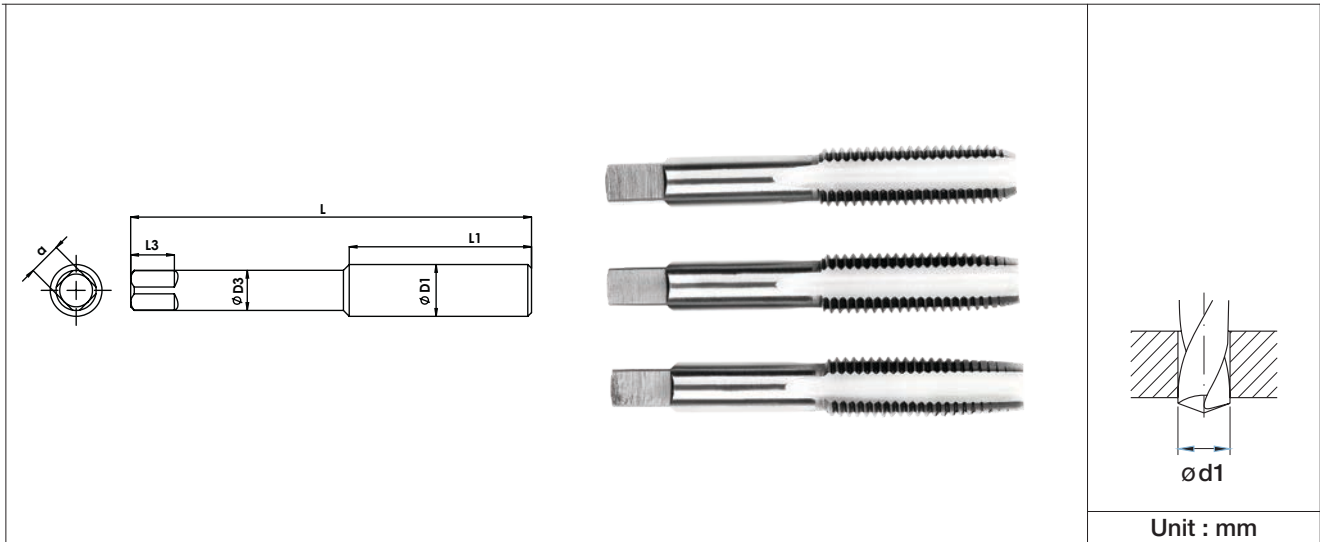
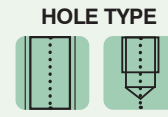
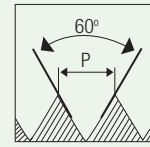

HOLE TYPE

CS
**BS
949**
2B
T/S/B


Unit : mm

Nominal Diameter	TPI	Overall Length	Thread Length	Shank Diameter	Square Size	Square Length	Tapping Drill Diameter	EDP No.
ØD1		L	L1	ØD3	a	L3	Ø d1	
# 5	44	51.06	18.8	3.58	2.7	4.46	2.7	FBA0201879
# 6	40	52.85	20.6	3.58	2.7	4.46	2.95	FBA0201907
# 8	36	56.43	22.5	4.27	3.24	6.05	3.5	FBA0201963
# 10	32	63.17	26.6	4.93	3.77	6.05	4.1	FBA0201991
# 12	28	63.56	28.5	5.61	4.1	6.84	4.7	FBA0202048
1/8"	44	51.06	18.8	3.58	2.7	4.46	-	FBA0201851
5/32"	36	63.13	22.5	4.27	3.24	6.05	-	FBA0201935
3/16"	32	63.13	26.6	4.93	3.77	6.05	-	FBA0202020
1/4"	28	67.28	30.7	6.48	4.76	7.64	5.5	FBA0202077
5/16"	24	73.82	35.2	8.08	5.96	9.23	6.9	FBA0202106
3/8"	24	74.61	33.7	9.68	7.17	10.81	8.5	FBA0202135
7/16"	20	80.17	36.5	8.2	6.06	10.02	9.9	FBA0202164
1/2"	20	85.83	42.1	9.32	6.9	10.81	11.5	FBA0202193
9/16"	18	91.28	42	10.91	8.07	12.4	12.9	FBA0202222
5/8"	18	96.84	46	12.2	9.04	13.99	14.5	FBA0202252
3/4"	16	107.95	50.8	15	11.12	17.16	17.5	FBA0202281

UNF Unified fine threads

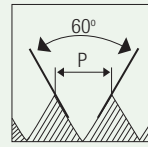


Unit : mm

Nominal Diameter	TPI	Overall Length	Thread Length	Shank Diameter	Square Size	Square Length	Tapping Drill Diameter	EDP No.
ØD1		L	L1	ØD3	a	L3	Ø d1	
7/8"	14	119.06	56.4	17.71	13.18	18.75	20.4	FBA0202310
1"	12	130.18	63.5	20.33	15.13	20.34	23.25	FBA0202339
1.1/8"	12	137.8	65	22.79	16.96	21.7	26.5	FBA0202368
1.1/4"	12	145.8	65	25.96	19.34	25.2	29.5	FBA0202396
1.3/8"	12	153.8	76	28.17	20.99	26.7	32.75	FBA0202425
1.1/2"	12	161.8	76	31.35	23.38	28.2	36	FBA0202454

NPT

American taper pipe threads

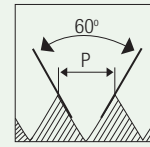

HOLE TYPE

CS
ANSI 94.9
2B


								Unit : mm
Nominal Diameter	TPI	Overall Length	Thread Length	Shank Diameter	Square Size	Square Length	Tapping Drill Diameter	EDP No.
ØD		L	L1	ØD3	a	L3	Ød1	
1/8"	27	54	19.1	8.08	6.05	7.9	8.7	FBA0209891
1/4"	18	61.9	27	10.9	8.18	11.1	11.1	FBA0209919
3/8"	18	65.1	27	13.77	10.31	12.7	14.7	FBA0209947
1/2"	14	79.4	34.9	17.45	13.08	15.9	17.9	FBA0209975
3/4"	14	82.6	34.9	23.01	17.25	17.5	23.4	FBA0210031
1"	11.1/2	95.3	44.5	28.58	21.41	20.6	29.4	FBA0210059
1.1/4"	11.1/2	101.6	44.5	33.32	24.99	23.8	38.1	FBA0210087
1.1/2"	11.1/2	108	44.5	38.1	28.58	25.4	44	FBA0210115
2"	11.1/2	114.3	44.5	47.63	35.71	28.6	56.4	FBA0210143

NPS

National pipe threads special



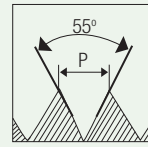
HOLE TYPE

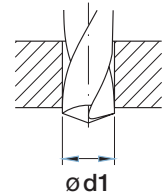
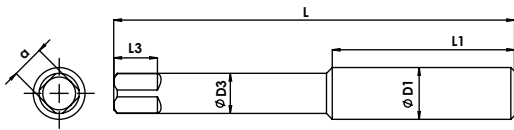


								Unit : mm
Nominal Diameter	TPI	Overall Length	Thread Length	Shank Diameter	Square Size	Square Length	Tapping Drill Diameter	EDP No.
ØD1		L	L1	ØD3	a	L3	Ø d1	
1/8"	27	53.97	19.05	8.08	5.96	7.64	9.1	FBA0209723
1/4"	18	61.91	26.98	10.91	8.07	10.81	11.9	FBA0209751
3/8"	18	65.09	26.99	13.78	10.2	12.4	15.25	FBA0209779
1/2"	14	79.38	34.92	17.46	12.97	15.58	19	FBA0209807
3/4"	14	82.55	34.92	22.99	17.14	17.16	27	FBA0209835
1"	11.5	95.25	44.45	28.56	21.3	20.34	30.5	FBA0209863

UNS

Unified threads special


HOLE TYPE

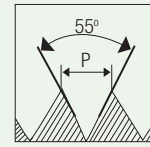
CS
ANSI 949
2B


Unit : mm

Nominal Diameter	TPI	Overall Length	Thread Length	Shank Diameter	Square Size	Square Length	Tapping Drill Diameter	EDP No.
ØD1		L	L1	ØD3	a	L3	Ø d1	
1/8"	40	51.04	18.8	3.58	2.7	4.46	-	FBA0203547
5/32"	32	56.26	22.5	4.27	3.24	6.05	3.6	FBA0203631
5/32"	36	56.31	22.5	4.27	3.24	6.05	3.65	FBA0203659
7/32"	24	63.55	28.5	5.61	4.1	6.84	-	FBA0203743
7/32"	28	63.65	28.5	5.61	4.1	6.84	-	FBA0203715
7/32"	32	63.65	28.5	5.61	4.1	6.84	-	FBA0203771
3/16"	24	63.03	26.6	4.93	3.77	6.05	4.25	FBA0203799
3/16"	32	63.13	26.6	4.93	3.77	6.05	4.4	FBA0203829
1/4"	20	67.01	30.7	6.48	4.76	7.64	-	FBA0203857
1/4"	24	67.23	30.7	6.48	4.76	7.64	-	FBA0203885
1/4"	32	67.34	30.7	6.48	4.76	7.64	-	FBA0203913
5/16"	32	73.68	35.2	8.08	5.96	10.02	7.5	FBA0203941
11/16"	11	102.4	46	13.78	10.2	15.58	16.4	FBA0203969
11/16"	16	102.4	46	13.78	10.2	15.58	16.7	FBA0203997
7/8"	12	119.06	56.4	17.71	13.18	18.75	-	FBA0204053
7/8"	18	119.06	56.4	17.71	13.18	18.75	-	FBA0204025
1"	14	130.18	63.5	20.33	15.13	20.34	24.6	FBA0204081
1-1/8"	8	137.8	65	22.79	16.96	21.7	-	FBA0204137

UNS

Unified threads special



HOLE TYPE

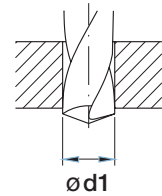
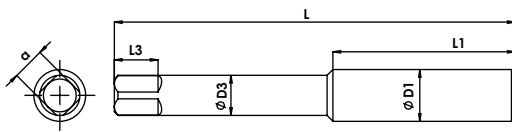


CS

ANSI 949

2B

T/S/B



Unit : mm

Nominal Diameter	TPI	Overall Length	Thread Length	Shank Diameter	Square Size	Square Length	Tapping Drill Diameter	EDP No.
ØD1		L	L1	ØD3	a	L3	Ø d1	
1-1/4"	8	145.8	65	25.96	19.34	25.2	-	FBA0204165
1-3/8"	8	153.8	76	28.17	20.99	26.7	-	FBA0204193
1-1/2"	8	161.8	76	31.35	23.38	28.2	-	FBA0204221
1-5/8"	8	169.8	81	33.18	24.75	28.2	-	FBA0204249
1-3/4"	8	177.8	81	36.35	27.12	31.7	-	FBA0204277
1-3/4"	12	177.8	81	36.35	27.12	31.7	-	FBA0204305
1-7/8"	8	185.3	90.5	38.61	28.82	31.7	-	FBA0204333
2"	8	193.3	90.5	41.79	31.21	34.7	-	FBA0204389
2"	12	193.3	90.5	41.79	31.21	34.7	-	FBA0204417



Tap and die case sets

Description	EDP No	Content
Ref. No METRIC 1 M6-M20 SECS (20Pc)	FBI0200001	"Taps (Second): M6, M8, M10, M12, M14, M16, M20 Dies: 1" OD- M6 TO M10 & 1.1/2" OD - M12 TO M20 Accessories: Tap Wrenches - 2nos. & Die stock - 2nos."
Ref. No METRIC 2 M6-M20 T&B (28Pc)	FBI0200002	"Taps (Taper & Bottom): M6, M8, M10, M12, M14, M16, M20 Dies: 1" OD- M6 TO M10 & 1.1/2" OD - M12 TO M20 Accessories: Tap Wrenches - 2nos. & Die stock - 2nos."
Ref. No METRIC C119 M6-M20 T&B (37Pc)	FBI0200003	"Taps (Taper & Bottom): M6, M7, M8, M9, M10, M11, M12, M14, M16, M20 Dies: 1" OD- M6 TO M10 & 1.1/2" OD - M11 TO M20 Accessories: Tap Wrenches - 2nos. & Die stock - 2nos."
Ref. No METRIC 3 M3-M10 T&B (21Pc)	FBI0200004	"Taps (Taper & Bottom): M3, M4, M5, M6, M8, M10 Dies: 13/16" OD- M3 TO M5 & 1" OD - M6 TO M10 Accessories: Tap Wrenches - 1no. & Die stock - 2nos."
Ref. No METRIC 4P M2-M6 T&B (17Pc)	FBI0200005	"Taps (Taper & Bottom): M2, M3, M4, M5, M6 Dies: 13/16" OD- M2 TO M6 Accessories: Tap Wrenches - 1no. & Die stock - 1no."
Ref. No METRIC 4S M2-M6 SET (22Pc)	FBI0200006	"Taps (Taper, Second & Bottom): M2, M3, M4, M5, M6 Dies: 13/16" OD- M2 TO M6 Accessories: Tap Wrenches - 1no. & Die stock - 1no."
Ref. No METRIC 5F M6-M24 T&B (35Pc)	FBI0200007	"Taps (Taper & Bottom): MF6, MF8, MF10, MF12, MF14, MF16, MF18, MF20, MF22, MF24 Dies: 1" OD- MF6 TO MF10 & 1.1/2" OD - MF12 TO MF20 & 2" OD -MF22 TO MF24 Accessories: Tap Wrenches - 2nos. & Die stock - 3nos."
Ref. No METRIC C120 M6-M24 T&B (44Pc)	FBI0200008	"Taps (Taper & Bottom): M6, M7, M8, M9, M10, M11, M12, M14, M16, M20, M22, M24 Dies: 1" OD- M6 TO M10 & 1.1/2" OD - M11 TO M16 & 2" OD -M18 TO M24 Accessories: Tap Wrenches - 2nos. & Die stock - 3nos."
Ref. No METRIC 5C M6-M24 T&B (35Pc)	FBI0200009	"Taps (Taper & Bottom): M6, M8, M10, M12, M14, M16, M18, M20, M22, M24 Dies: 1" OD- M6 TO M10 & 1.1/2" OD - M12 TO M20 & 2" OD -M22 TO M24 Accessories: Tap Wrenches - 2nos. & Die stock - 3nos."
Ref. No METRIC 6P M3-M12 T&B (24Pc)	FBI0200010	"Taps (Taper & Bottom): M3, M4, M5, M6, M8, M10, M12 Dies: 1" OD- M3 TO M12 Accessories: Tap Wrenches - 2nos. & Die stock - 1nos."
Ref. No METRIC 6S M3-M12 SET (31Pc)	FBI0200011	"Taps (Taper, Second & Bottom): M3, M4, M5, M6, M8, M10, M12 Dies: 1" OD- M3 TO M12 Accessories: Tap Wrenches - 2nos. & Die stock - 1nos."
Ref. No METRIC C114 M2-M12 T&B (36Pc)	FBI0200012	"Taps (Taper, Second & Bottom): M2, M3, M4, M5, M6, M7, M8, M9, M10, M11, M12 Dies: 13/16" OD - M2 TO M6 & 1" OD- M7 TO M12 Accessories: Tap Wrenches - 1nos. & Die stock - 2nos."
Ref. No METRIC 7 M6-M12 T&B (18Pc)	FBI0200013	"Taps (Taper, Second & Bottom): M6, M8, M10, M11, M12 Dies: 1" OD - M6 TO M10 & 1.1/2" OD- M11, M12 Accessories: Tap Wrenches - 1nos. & Die stock - 2nos."
Ref. No METRIC C118 M6-M12 T&B (23Pc)	FBI0200014	"Taps (Taper, Second & Bottom): M6, M7, M8, M9, M10, M11, M12 Dies: 1" OD- M6 TO M12 Accessories: Tap Wrenches - 1nos. & Die stock - 1nos."
Ref. No METRIC 8 M3-M12 T&B (23Pc)	FBI0200015	"Taps (Taper, Second & Bottom): M3, M4, M5, M6, M8, M10, M12 Dies: 1" OD- M3 TO M12 Accessories: Tap Wrenches - 1nos. & Die stock - 1nos."
Ref. No C37 1/4-3/4 BSW T&B (24Pc)	FBI0200016	"Taps (Taper, Second & Bottom): 1/4", 5/16", 3/8", 7/16", 1/2", 5/8", 3/4" Dies: 1" OD- 1/4", 5/16", 3/8" & 1.1/2" OD - 7/16", 1/2", 5/8", 3/4" Accessories: Tap Wrenches - 1nos. & Die stock - 2nos."
Ref. No C37 1/4-3/4 BSF T&B (24Pc)	FBI0200017	"Taps (Taper, Second & Bottom): 1/4", 5/16", 3/8", 7/16", 1/2", 5/8", 3/4" Dies: 1" OD- 1/4", 5/16", 3/8" & 1.1/2" OD - 7/16", 1/2", 5/8", 3/4" Accessories: Tap Wrenches - 1nos. & Die stock - 2nos."



Tap and die case sets

Description	EDP No	Content
Ref. No C37 1/4-3/4 NF T&B (24Pc)	FBI0200018	"Taps (Taper, Second & Bottom): 1/4", 5/16", 3/8", 7/16", 1/2", 5/8", 3/4" Dies: 1" OD- 1/4", 5/16", 3/8" & 1.1/2" OD - 7/16", 1/2", 5/8", 3/4" Accessories: Tap Wrenches - 1nos. & Die stock - 2nos."
Ref. No C37 1/4-3/4 NC T&B (24Pc)	FBI0200019	"Taps (Taper, Second & Bottom): 1/4", 5/16", 3/8", 7/16", 1/2", 5/8", 3/4" Dies: 1" OD- 1/4", 5/16", 3/8" & 1.1/2" OD - 7/16", 1/2", 5/8", 3/4" Accessories: Tap Wrenches - 1nos. & Die stock - 2nos."
Ref. No INCHES 9 1/4-3/4 BSW T&B (28Pc)	FBI0200020	"Taps (Taper, Second & Bottom): 1/4", 5/16", 3/8", 1/2", 9/16", 5/8", 11/16", 3/4" Dies: 1" OD- 1/4", 5/16", 3/8" & 1.1/2" OD - 9/16", 5/8", 11/16", 3/4" Accessories: Tap Wrenches - 2nos. & Die stock - 2nos."
Ref. No INCHES 9 1/4-3/4 BSF T&B (28Pc)	FBI0200021	"Taps (Taper, Second & Bottom): 1/4", 5/16", 3/8", 1/2", 9/16", 5/8", 11/16", 3/4" Dies: 1" OD- 1/4", 5/16", 3/8" & 1.1/2" OD - 9/16", 5/8", 11/16", 3/4" Accessories: Tap Wrenches - 2nos. & Die stock - 2nos."
Ref. No INCHES 9 1/4-3/4 NC T&B (28Pc)	FBI0200022	"Taps (Taper, Second & Bottom): 1/4", 5/16", 3/8", 1/2", 9/16", 5/8", 11/16", 3/4" Dies: 1" OD- 1/4", 5/16", 3/8" & 1.1/2" OD - 9/16", 5/8", 11/16", 3/4" Accessories: Tap Wrenches - 2nos. & Die stock - 2nos."
Ref. No C31 1/8-1/2 BSW T&B (24Pc)	FBI0200023	"Taps (Taper, Second & Bottom): 1/8", 3/16", 1/4", 5/16", 3/8", 7/16", 1/2" Dies: 13/16" OD- 1/8", 3/16" & 1" OD - 1/4", 5/16", 3/8", 7/16", 1/2" Accessories: Tap Wrenches - 1nos. & Die stock - 2nos."
Ref. No C82 1/4-1/2 BSW T&B (17Pc)	FBI0200024	"Taps (Taper, Second & Bottom): 1/4", 5/16", 3/8", 7/16", 1/2" Dies: 1" OD- 1/4", 5/16", 3/8", 7/16", 1/2" Accessories: Tap Wrenches - 1nos. & Die stock - 1nos."
Ref. No C82 1/4-1/2 BSF T&B (17Pc)	FBI0200025	"Taps (Taper, Second & Bottom): 1/4", 5/16", 3/8", 7/16", 1/2" Dies: 1" OD- 1/4", 5/16", 3/8", 7/16", 1/2" Accessories: Tap Wrenches - 1nos. & Die stock - 1nos."
Ref. No C82 1/4-1/2 NF T&B (17Pc)	FBI0200026	"Taps (Taper, Second & Bottom): 1/4", 5/16", 3/8", 7/16", 1/2" Dies: 1" OD- 1/4", 5/16", 3/8", 7/16", 1/2" Accessories: Tap Wrenches - 1nos. & Die stock - 1nos."
Ref. No C82 1/4-1/2 NC T&B (17Pc)	FBI0200027	"Taps (Taper, Second & Bottom): 1/4", 5/16", 3/8", 7/16", 1/2" Dies: 1" OD- 1/4", 5/16", 3/8", 7/16", 1/2" Accessories: Tap Wrenches - 1nos. & Die stock - 1nos."
Ref. No C52 3/16-1/2 BSW T&B (20Pc)	FBI0200028	"Taps (Taper, Second & Bottom): 3/16", 1/4", 5/16", 3/8", 7/16", 1/2" Dies: 1" OD - 3/16", 1/4", 5/16", 3/8", 7/16", 1/2" Accessories: Tap Wrenches - 1nos. & Die stock - 1nos."
Ref. No C52 3/16-1/2 BSF T&B (20Pc)	FBI0200029	"Taps (Taper, Second & Bottom): 3/16", 1/4", 5/16", 3/8", 7/16", 1/2" Dies: 1" OD - 3/16", 1/4", 5/16", 3/8", 7/16", 1/2" Accessories: Tap Wrenches - 1nos. & Die stock - 1nos."
Ref. No C85 1/4-1" BSW T&B (32Pc)	FBI0200030	"Taps (Taper, Second & Bottom): 1/4", 5/16", 3/8", 7/16", 1/2", 5/8", 3/4", 7/8", 1" Dies: 1" OD- 1/4", 5/16", 3/8" & 1.1/2" OD - 7/16", 1/2", 5/8" & 2" OD- 3/4", 7/8", 1" Accessories: Tap Wrenches - 2nos. & Die stock - 3nos."
Ref. No C85 1/4-1" BSF T&B (32Pc)	FBI0200031	"Taps (Taper, Second & Bottom): 1/4", 5/16", 3/8", 7/16", 1/2", 5/8", 3/4", 7/8", 1" Dies: 1" OD- 1/4", 5/16", 3/8" & 1.1/2" OD - 7/16", 1/2", 5/8" & 2" OD- 3/4", 7/8", 1" Accessories: Tap Wrenches - 2nos. & Die stock - 3nos."
Ref. No C85 1/4-1" NF T&B (32Pc)	FBI0200032	"Taps (Taper, Second & Bottom): 1/4", 5/16", 3/8", 7/16", 1/2", 5/8", 3/4", 7/8", 1" Dies: 1" OD- 1/4", 5/16", 3/8" & 1.1/2" OD - 7/16", 1/2", 5/8" & 2" OD- 3/4", 7/8", 1" Accessories: Tap Wrenches - 2nos. & Die stock - 3nos."
Ref. No C85 1/4-1" NC T&B (32Pc)	FBI0200033	"Taps (Taper, Second & Bottom): 1/4", 5/16", 3/8", 7/16", 1/2", 5/8", 3/4", 7/8", 1" Dies: 1" OD- 1/4", 5/16", 3/8" & 1.1/2" OD - 7/16", 1/2", 5/8" & 2" OD- 3/4", 7/8", 1" Accessories: Tap Wrenches - 2nos. & Die stock - 3nos."



Adjustable tap wrenches (forged steel)

Tap Capacity		Overall Nominal Length		EDP No.
Inch	mm	Inch	mm	
1/16"- 1/4"	2 - 6	6- 1/4"	172	FBN2200009
1/8"- 1/2"	3 - 12	8-1/16"	205	FBN2200010
5/32"- 3/8"	4 - 10	8-1/16"	205	FBN2200011
3/16"- 1/2"	5 - 12	10-3/16"	258	FBN2200012
3/16"-5/8"	5 - 16	10-1/4"	264	FBN2200013
1/4"-3/4"	6 - 20	13-3/4"	350	FBN2200014
5/16"-1"	8 - 25	17-1/4"	435	FBN2200015
3/8"-1"	10 - 25	17-5/16"	440	FBN2200016
3/4"-1.1/2"	18 - 38	27"	685	FBN2200017
1"-2"	25 - 50	34-1/2"	875	FBN2200018

T-Handle tap wrenches

Tap Capacity		Overall Nominal Length		EDP No.
Inch	mm	Inch	mm	
1/16"-5/32"	2 - 4	2-3/8"	60	FBN2200019
5/32"-1/4"	4 - 6	2-11/16"	69	FBN2200020
3/16"-5/16"	5 - 8	2-5/32"	80	FBN2200021
1/4"-1/2"	6 - 12	3-1/2"	88	FBN2200022

T-Handle tap wrenches ratchet type

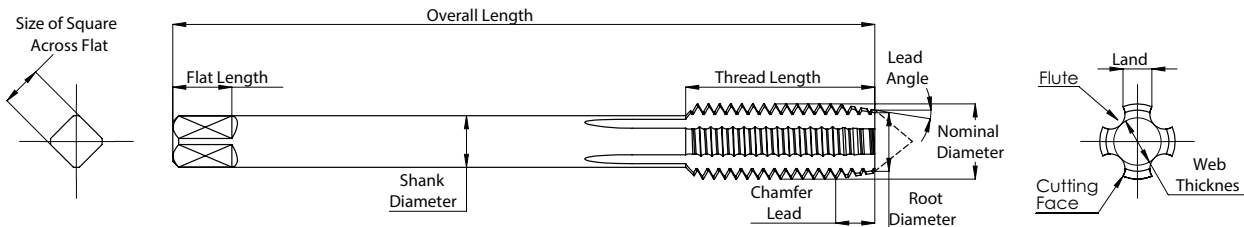
Tap Capacity		Overall Nominal Length		EDP No.
Inch	mm	Inch	mm	
5/32"-1/4"	4 - 6	2-11/16"	69	FBN2200023
1/4"-1/2"	6 - 12	3-1/2"	88	FBN2200024
5/32"-1/4"	4 - 6	10-1/4"	260	ABM000022
1/4"-1/2"	6 - 12	12"	305	ABM000023

Die stocks

Tap Capacity		Overall Nominal Length		EDP No.
Inch	mm	Inch	mm	
13/16"	20	6-3/4"	170	FBN2200001
1"	25	8-3/4"	222	FBN2200002
1.5/16"	33	10"	254	FBN2200003
1.1/2"	38	12-1/2"	317	FBN2200004
2"	50	15-9/16"	395	FBN2200005
2.1/4"	57	16.1/2"	420	FBN2200006
2.1/2"	63	19"	480	FBN2200007
3"	75	22-1/2"	572	FBN2200008
4"	100	35"	890	FBN2200028

CS TAPS

Carbon steel taps nomenclature



Carbon taps application

AUTOMOBILE INDUSTRY

- Cylinder liner and cylinder head manufacturers
- General purpose applications in small workshops, garages, tool rooms and maintenance departments
- Motor cycle body frames: spatter cleaning and removing paint from threaded portion.
- Carburetor and speedometer manufacturers
- High speed steel dies are used in removing paint from threaded portion in rear axles of cars, trucks, buses, etc.
- Dies are used by gas valve manufacturers.

ENGINEERING INDUSTRY

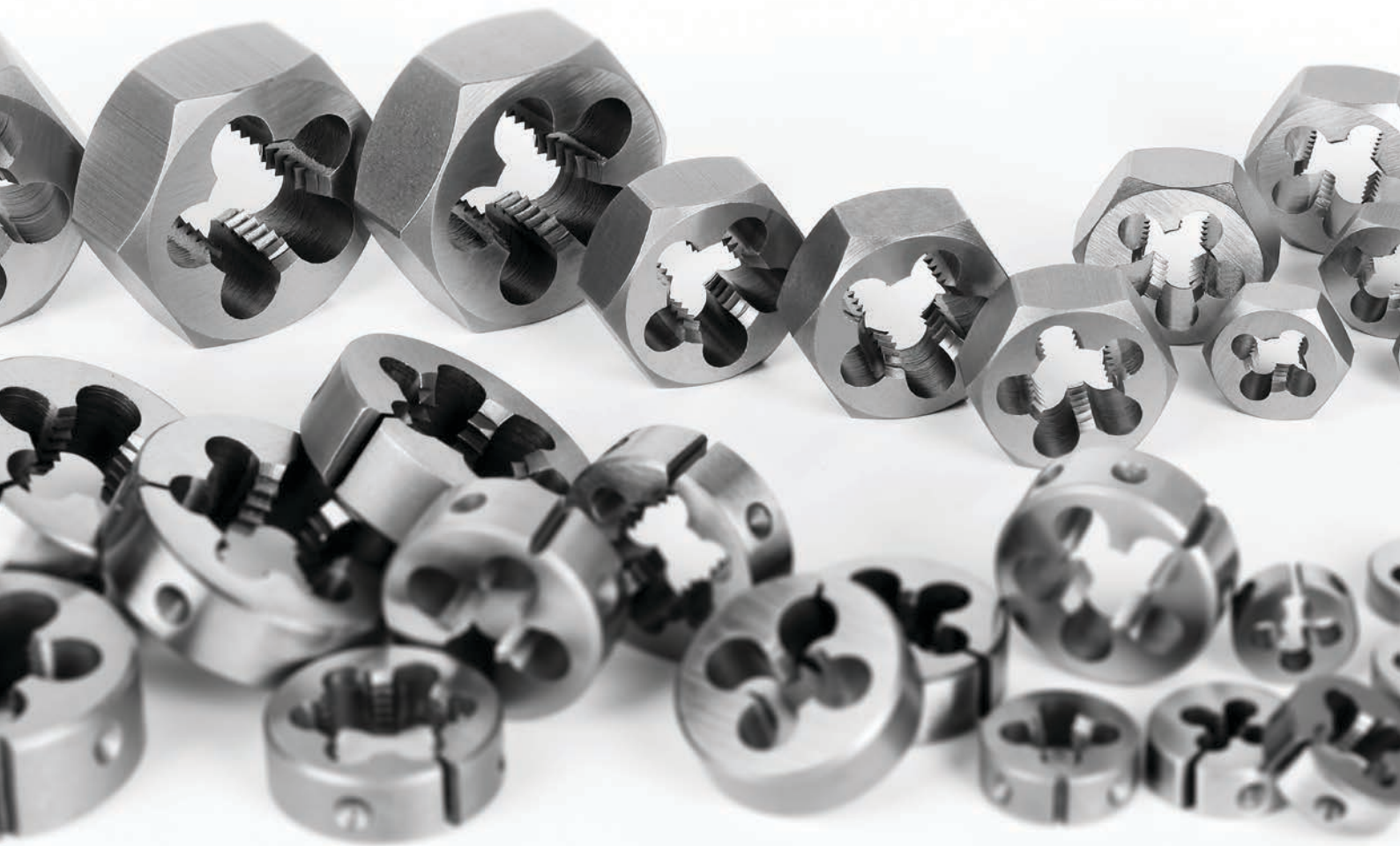
- Air compressors / blower manufacturers
- Cooling towers and heat exchangers
- Brass component manufacturers
- Pipe and pipe fitting manufacturers.
- Sheet metal industry
- Thread dressing of diesel engine components
- Steel furniture manufacturers
- Steel window manufacturers
- Bus and truck body building workshops
- Textile industry
- Electrical industry

HOUSEHOLD APPLIANCE MANUFACTURERS

- Pressure cookers
- Fans, air coolers, air conditioners
- Flour mills, mixers and grinders



High Performance Cutting Tools



**HSS & CARBON STEEL
ROUND & HEXAGONAL DIES**

ROUND SPLIT DIES

MATERIAL		THREAD FORM	STANDARD	TOLERANCE	PAGE
CS	HSS	M	BS1127	6G	8.004
CS	HSS	MF	BS1127	6G	8.006
CS	HSS	BSW	BS1127	6G	8.010
CS	HSS	BSF	BS1127	6G	8.012
CS	HSS	BA	BS1127	6G	8.014
CS	HSS	BSB	BS1127	6G	8.015
CS	HSS	ME	BS1127	6G	8.016
CS	HSS	WF	BS1127	6G	8.017
CS	HSS	BSP	BS1127	6G	8.018
CS	HSS	BSPT	BS1127	6G	8.019
CS	HSS	UNC	BS1127	2A	8.020
CS	HSS	UNF	BS1127	2A	8.022

ROUND SOLID DIES

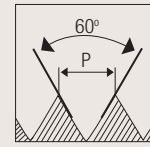
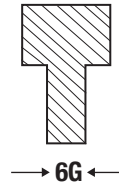
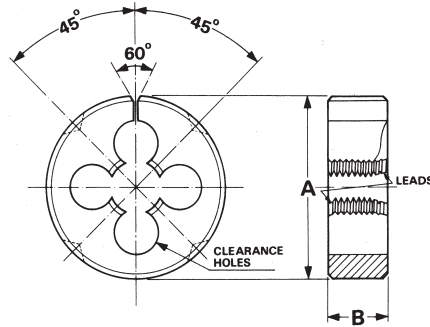
MATERIAL		THREAD FORM	STANDARD	TOLERANCE	PAGE
CS	HSS	NPT	BS1127	2A	8.024
CS	HSS	M	BS1127	6G	8.025
CS	HSS	MF	BS1127	6G	8.026

HEXAGONAL DIES

MATERIAL		THREAD FORM	STANDARD	TOLERANCE	PAGE
CS	HSS	M	BS1127	6G	8.028
CS	HSS	MF	BS1127	6G	8.029
CS	HSS	BSW	BS1127	6G	8.031
CS	HSS	BSF	BS1127	6G	8.032
CS	HSS	BSP	BS1127	6G	8.033
CS	HSS	BSPT	BS1127	6G	8.034
CS	HSS	UNC	BS1127	2A	8.035
CS	HSS	UNF	BS1127	2A	8.036
CS	HSS	NPT	BS1127	2A	8.037

M

Metric coarse threads

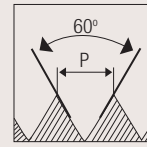
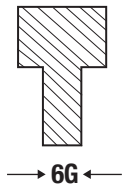
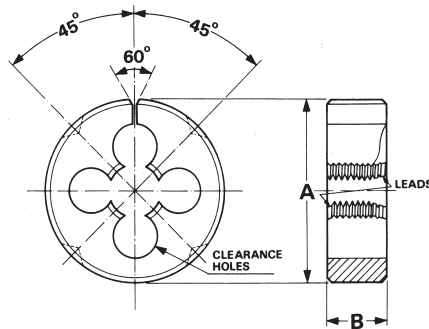

HSS
CS
**BS
1127**
6G


Unit : mm

Nominal Diameter	Pitch	Outer Diameter	Thickness	Clearance Holes	Threading Diameter	HSS	Carbon Steel
						EDP No	EDP No
ØD	p	A	B				
M 2	0.4	13/16"	1/4"	3	1.96	FBC0201098	FBB0201147
M 3	0.5	13/16"	1/4"	3	2.95	FBC0201150	FBB0201196
M 4	0.7	13/16"	1/4"	3	3.95	FBC0201196	FBB0201248
M 5	0.8	13/16"	1/4"	3	4.95	FBC0201253	FBB0201310
M 6	1	13/16"	1/4"	4	5.93	FBC0201334	FBB0201371
M 7	1	13/16"	1/4"	4	6.93	FBC0201385	FBB0201407
M 6	1	1"	3/8"	4	5.93	FBC0201346	FBB0201380
M 7	1	1"	3/8"	4	6.93	FBC0201391	FBB0201416
M 8	1.25	1"	3/8"	4	7.92	FBC0201432	FBB0201456
M 9	1.25	1"	3/8"	4	8.93	FBC0201470	FBB0201496
M 10	1.5	1"	3/8"	4	9.91	FBC0201538	FBB0201560
M 12	1.75	1.1/2"	1/2"	4	11.90	FBC0201663	FBB0201697
M 14	2	1.1/2"	1/2"	5	13.89	FBC0201734	FBB0201762
M 16	2	1.1/2"	1/2"	5	15.89	FBC0201803	FBB0201826
M 18	2.5	1.1/2"	1/2"	6	17.88	FBC0201838	FBB0201880
M 20	2.5	1.1/2"	1/2"	6	19.88	FBC0201904	FBB0201926

M

Metric coarse threads

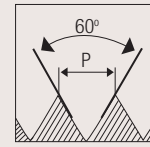

HSS
CS
**BS
1127**
6G


Unit : mm

Nominal Diameter	Pitch	Outer Diameter	Thickness	Clearance Holes	Threading Diameter	Material	
						HSS	Carbon Steel
ØD	p	A	B			EDP No	EDP No
M 20	2.5	2"	5/8"	5	19.88	FBC0201910	FBB0201931
M 22	2.5	2"	5/8"	5	21.88	FBC0201934	FBB0201949
M 24	3	2"	5/8"	5	23.88	FBC0201958	FBB0201968
M 27	3	2.1/4"	11/16"	6		FBM2300071	FBM2300344
M 30	3.5	2.1/4"	11/16"	6		FBM2300084	FBM2300364
M 33	3.5	2.1/4"	11/16"	6		FBM2300094	FBM2300377
M 36	4	2.1/2"	7/8"	6		FBM2300106	FBM2300391
M 36	4	3"	7/8"	6		FBM2300107	FBM2300392
M 39	4	3"	7/8"	6		FBM2300113	FBM2300402
M 42	4.5	3"	7/8"	6		FBM2300120	FBM2300408
M 48	5	4"	1"	6		FBM2300130	FBM2300413

MF

Metric fine threads

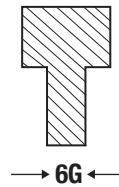
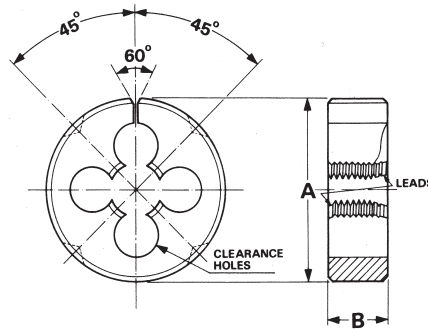


HSS

CS

BS
1127

6G

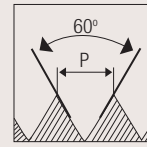
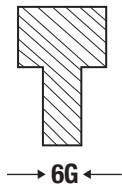
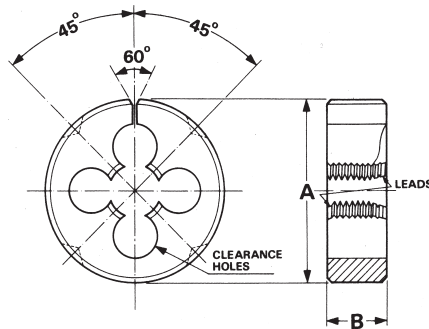


Unit : mm

Nominal Diameter	Pitch	Outer Diameter	Thickness	No. Clearance Hole	Threading Diameter	HSS	Carbon Steel
						EDP No	EDP No
ØD	p	A	B				
M 1.6	0.35	13/16"	1/4"	3	1.56	FBC0201092	FBB0201143
M 2.2	0.45	13/16"	1/4"	3	2.15	FBC0201109	FBB0201160
M 2.3	0.4	13/16"	1/4"	3	2.25	FBC0201115	FBB0201169
M 2.5	0.45	13/16"	1/4"	3	2.45	FBC0201121	FBB0201173
M 2.6	0.45	13/16"	1/4"	3	2.55	FBC0201132	FBB0201182
M 3	0.6	13/16"	1/4"	3	2.96	FBC0201161	FBB0201209
M 3.5	0.6	13/16"	1/4"	3	3.46	FBC0201167	FBB0201218
M 4	0.5	13/16"	1/4"	3	3.95	FBC0201184	FBB0201231
M 4	0.75	13/16"	1/4"	3	3.95	FBC0201212	FBB0201261
M 4.5	0.5	13/16"	1/4"	3	4.45	FBC0201218	FBB0201270
M 4.5	0.75	13/16"	1/4"	3	4.45	FBC0201224	FBB0201275
M 5	0.5	13/16"	1/4"	3	4.95	FBC0201235	FBB0201284
M 5	0.75	13/16"	1/4"	3	4.95	FBC0201241	FBB0201297
M 5	0.9	13/16"	1/4"	3	4.95	FBC0201274	FBB0201323
M 5.5	0.5	13/16"	1/4"	4	5.45	FBC0201280	FBB0201331
M 5.5	0.9	13/16"	1/4"	4	5.45	FBC0201292	FBB0201335
M 6	0.5	13/16"	1/4"	4	5.95	FBC0201298	FBB0201343
M 6	0.75	13/16"	1/4"	4	5.95	FBC0201310	FBB0201353
M 7	0.75	13/16"	1/4"	4	6.95	FBC0201373	FBB0201393

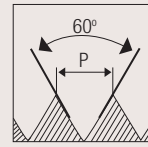
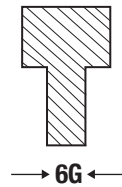
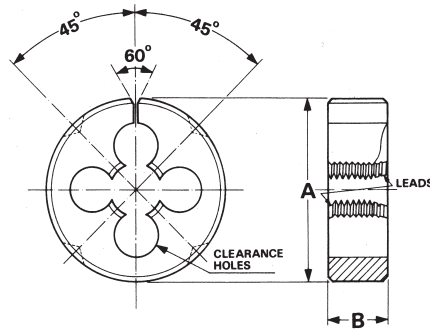
MF

Metric fine threads


HSS
CS
**BS
1127**
6G


Unit : mm

Nominal Diameter	Pitch	Outer Diameter	Thickness	No. Clearance Hole	Threading Diameter	HSS	Carbon Steel
						EDP No	EDP No
ØD	p	A	B				
M 6	0.5	1"	3/8"	4	5.95	FBC0201304	FBB0201348
M 6	0.75	1"	3/8"	4	5.95	FBC0201316	FBB0201358
M 7	0.75	1"	3/8"	4	6.95	FBC0201379	FBB0201398
M 8	0.75	1"	3/8"	4	7.97	FBC0201408	FBB0201429
M 8	1	1"	3/8"	4	7.93	FBC0201420	FBB0201434
M 9	0.75	1"	3/8"	4	8.95	FBC0201453	FBB0201482
M 9	1	1"	3/8"	4	8.93	FBC0201464	FBB0201487
M 10	0.5	1"	3/8"	4	9.93	FBC0201481	FBB0202548
M 10	0.75	1"	3/8"	4	9.95	FBC0201487	FBB0201509
M 10	1	1"	3/8"	4	9.93	FBC0201499	FBB0201518
M 10	1.25	1"	3/8"	4	9.93	FBC0201516	FBB0201535
M 11	1	1.1/2"	1/2"	5	10.93	FBC0201554	FBB0201597
M 11	1.5	1.1/2"	1/2"	4	10.91	FBC0201576	FBB0201613
M 12	1	1.1/2"	1/2"	5	11.93	FBC0201604	FBB0201634
M 12	1.25	1.1/2"	1/2"	5	11.92	FBC0201620	FBB0201647
M 12	1.5	1.1/2"	1/2"	4	11.91	FBC0201636	FBB0201668
M 14	1	1.1/2"	1/2"	5	13.93	FBC0201685	FBB0201726
M 14	1.25	1.1/2"	1/2"	5	13.92	FBC0201696	FBB0201731

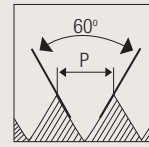
MF
Metric fine threads

HSS
CS
**BS
1127**
6G


Unit : mm

Nominal Diameter	Pitch	Outer Diameter	Thickness	No. Clearance Hole	Threading Diameter	HSS	Carbon Steel
						EDP No	EDP No
ØD	p	A	B				
M 14	1.5	1.1/2"	1/2"	5	13.91	FBC0201707	FBB0201744
M 15	1.5	1.1/2"	1/2"	5	14.91	FBC0201757	FBB0201786
M 16	1	1.1/2"	1/2"	5	15.93	FBC0201763	FBB0201795
M 16	1.5	1.1/2"	1/2"	5	15.91	FBC0201781	FBB0201813
M 18	1.5	1.1/2"	1/2"	6	17.91	FBC0201820	FBB0201861
M 20	1.5	1.1/2"	1/2"	6	19.91	FBC0201874	FBB0201902
M 20	1.5	2"	5/8"	5	19.91	FBC0201880	FBB0201907
M 22	1.5	2"	5/8"	6	21.91	FBC0201922	FBB0201940
M 24	1	2"	5/8"	6	23.93	FBC0201940	FBB0201953
M 24	1.5	2"	5/8"	6	23.90	FBC0201946	FBB0201958
M 25	1.5	2"	5/8"	6	24.91	FBC0201970	FBB0201977
M 26	1.5	2"	5/8"	6	25.90	FBC0201988	FBB0201986
M 27	1.5	2"	5/8"	6+6	26.9	FBC0202000	FBB0202641
M 28	1.5	2"	5/8"	6+6	27.9	FBC0202012	FBB0202711
M 30	1.5	2"	5/8"	6+6	29.9	FBC0202024	FBB0201991
M 32	1.5	2.1/4"	11/16"	6+6		FBM2300087	FBM2300368
M 33	1.5	2.1/4"	11/16"	6+6		FBM2300091	FBM2300595

MF

Metric fine threads

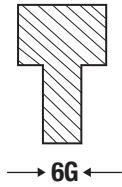
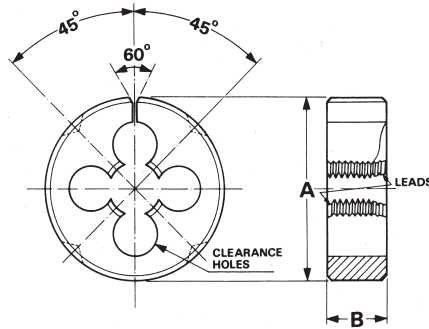


HSS

CS

BS
1127

6G

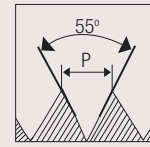


Unit : mm

Nominal Diameter	Pitch	Outer Diameter	Thickness	No. Clearance Hole	Threading Diameter	HSS	Carbon Steel
						EDP No	EDP No
ØD	p	A	B				
M 34	1.5	2.1/2"	7/8"	6		FBM2300097	FBM2300381
M 35	1.5	2.1/2"	7/8"	6		FBM2300100	FBM2300383
M 36	1.5	2.1/2"	7/8"	6		FBM2300102	FBM2300385
M 40	1.5	2.1/2"	7/8"	6		FBM2300114	FBM2300404
M 34	1.5	3"	7/8"	6		FBM2300098	FBM2300382
M 35	1.5	3"	7/8"	6		FBM2300101	FBM2300384
M 36	1.5	3"	7/8"	6		FBM2300103	FBM2300386
M 38	1.5	3"	7/8"	6		FBM2300109	FBM2300396
M 45	1.5	3"	7/8"	6		FBM2300123	-
M 45	1.5	4"	1"	6		FBM2300124	FBM2300410
M 46	1.5	4"	1"	6		FBM2300126	FBM2300411
M 48	1.5	4"	1"	8		FBM2300127	FBM2300412
M 50	1.5	4"	1"	6		FBM2300131	FBM2300414
M 52	1.5	4"	1"	6		FBM2300132	FBM2300415
M 55	1.5	4"	1"	6		FBM2300133	FBM2300416
M 60	1.5	4"	1"	6		FBM2300134	FBM2300418

BSW

Whitworth coarse threads

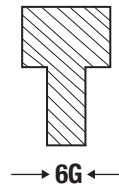
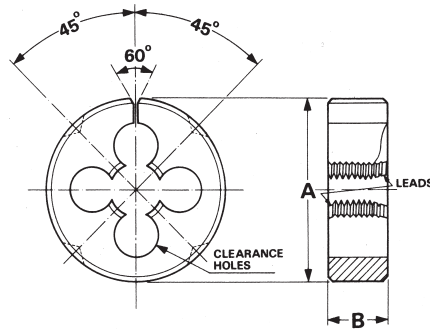


HSS

CS

BS
1127

6G

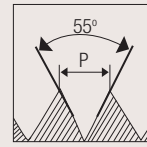


Unit : mm

Nominal Diameter ØD	TPI	Outer Diameter A	Thickness B	No. Clearance Hole	Threading Diameter	HSS	Carbon Steel
						EDP No	EDP No
1/16"	60	13/16"	1/4"	3	1.56	FBC0200001	FBB0200001
3/32"	48	13/16"	1/4"	3	2.35	FBC0200007	FBB0200005
1/8"	40	13/16"	1/4"	3	3.14	FBC0200013	FBB0200017
5/32"	32	13/16"	1/4"	3	3.93	FBC0200019	FBB0200034
3/16"	24	13/16"	1/4"	3	4.72	FBC0200036	FBB0200051
7/32"	24	13/16"	1/4"	4	5.51	FBC0200047	FBB0200064
1/4"	20	13/16"	1/4"	4	6.31	FBC0200059	FBB0200081
1/4"	20	1"	3/8"	3	6.31	FBC0200071	FBB0200090
9/32"	20	1"	3/8"	4	7.10	FBC0200089	FBB0200111
5/16"	18	1"	3/8"	4	7.88	FBC0200101	FBB0200119
3/8"	16	1"	3/8"	4	9.47	FBC0200128	FBB0200144
7/16"	14	1.1/2"	1/2"	4	11.05	FBC0200159	FBB0200173
1/2"	12	1.1/2"	1/2"	4	12.63	FBC0200181	FBB0200197
9/16"	12	1.1/2"	1/2"	5	14.21	FBC0200198	FBB0200210
5/8"	11	1.1/2"	1/2"	5	15.80	FBC0200210	FBB0200223
11/16"	11	1.1/2"	1/2"	6	17.39	FBC0200221	FBB0200232
3/4"	10	1.1/2"	1/2"	6	18.97	FBC0200233	FBB0200244

BSW

Whitworth coarse threads

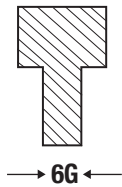
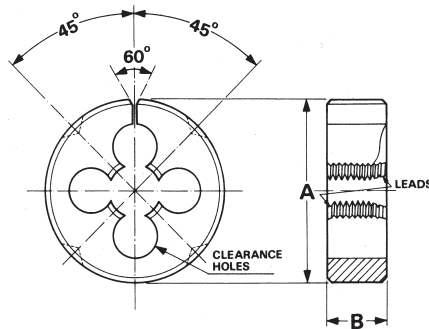


HSS

CS

BS
1127

6G

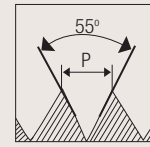


Unit : mm

Nominal Diameter ØD	TPI	Outer Diameter A	Thickness B	No. Clearance Hole	Threading Diameter	HSS	Carbon Steel
						EDP No	EDP No
7/8"	9	2"	5/8"	5	22.14	FBC0200245	FBB0200253
1"	8	2"	5/8"	6	25.30	FBC0200251	FBB0200257
1.1/8"	7	2.1/4"	11/16"	6		FBM2300001	FBM2300297
1.1/4"	7	2.1/4"	11/16"	6		FBM2300004	FBM2300299
1.1/4"	7	2.1/2"	7/8"	6		FBM2300005	FBM2300300
1.3/8"	6	2.1/2"	7/8"	6		FBM2300010	FBM2300301
1.1/2"	6	2.1/2"	7/8"	6		FBM2300012	FBM2300302
1.1/2"	6	3"	7/8"	6		FBM2300013	FBM2300303
1.3/4"	5	4"	1"	6		FBM2300014	FBM2300304
2"	4.5	4"	1"	6		FBM2300015	FBM2300305

BSF

Whitworth fine threads

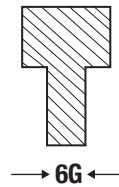
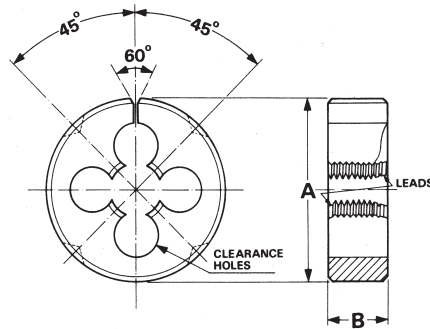


HSS

CS

BS
1127

6G

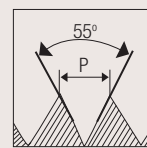


Unit : mm

Nominal Diameter ØD	TPI	Outer Diameter A	Thickness B	No. Clearance Hole	Threading Diameter	HSS	Carbon Steel
						EDP No	EDP No
3/16"	32	13/16"	1/4"	3	4.73	FBC0200257	FBB0200261
7/32"	28	13/16"	1/4"	4	5.51	FBC0200263	FBB0200270
1/4"	26	13/16"	1/4"	4	6.31	FBC0200269	FBB0200279
1/4"	26	1"	3/8"	4	6.31	FBC0200275	FBB0200283
9/32"	26	1"	3/8"	4	7.1	FBC0200281	FBB0200299
5/16"	22	1"	3/8"	4	7.89	FBC0200287	FBB0200303
3/8"	20	1"	3/8"	4	9.47	FBC0200293	FBB0200320
7/16"	18	1.1/2"	1/2"	4	11.05	FBC0200314	FBB0200341
1/2"	16	1.1/2"	1/2"	4	12.63	FBC0200330	FBB0200349
9/16"	16	1.1/2"	1/2"	5	14.22	FBC0200336	FBB0200358
5/8"	14	1.1/2"	1/2"	5	15.80	FBC0200342	FBB0200366
3/4"	12	1.1/2"	1/2"	5	18.97	FBC0200353	FBB0200383
7/8"	11	2"	5/8"	5	22.14	FBC0200359	FBB0200391
1"	10	2"	5/8"	6	25.30	FBC0200365	FBB0200395
1.1/8"	9	2.1/4"	11/16"	6		FBM2300016	FBM2300306

BSF

Whitworth fine threads

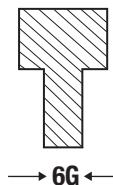
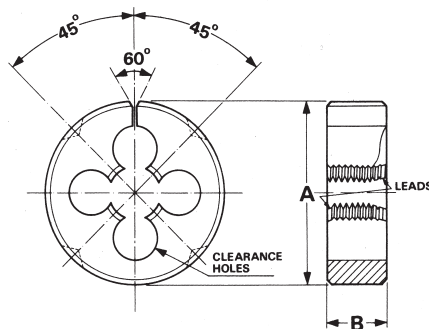


HSS

CS

BS
1127

6G

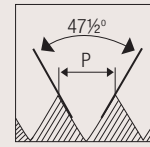


Unit : mm

Nominal Diameter ØD	TPI	Outer Diameter A	Thickness B	No. Clearance Hole	Threading Diameter	HSS	Carbon Steel
						EDP No	EDP No
1.1/4"	9	2.1/4"	11/16"	6		FBM2300020	FBM2300308
1.3/8"	8	2.1/2"	7/8"	6		FBM2300025	FBM2300310
1.1/2"	8	2.1/2"	7/8"	6		FBM2300027	FBM2300311
1.1/2"	8	3"	7/8"	6		FBM2300028	FBM2300312
1.3/4"	7	4"	1"	6		FBM2300029	FBM2300313
2"	7	4"	1"	6		FBM2300030	-

BA

British association threads

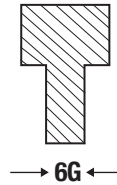
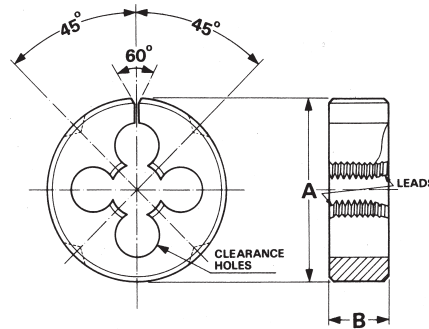


HSS

CS

BS
1127

6G

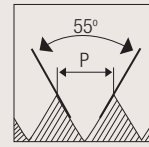


Unit : mm

Nominal Diameter	TPI	Outer Diameter	Thickness	No. Clearance Hole	Threading Diameter	HSS	Carbon Steel
						EDP No	EDP No
ØD		A	B				
# 12	90.9	13/16"	1/4"	3	1.27	FBC0202220	FBB0202153
# 11	81.9	13/16"	1/4"	3	1.47	FBC0202226	FBB0202158
# 10	72.6	13/16"	1/4"	3	1.67	FBC0202232	FBB0202163
# 9	65.1	13/16"	1/4"	3	1.87	FBC0202238	FBB0202168
# 8	59.1	13/16"	1/4"	3	2.16	FBC0202244	FBB0202173
# 7	52.9	13/16"	1/4"	3	2.46	FBC0202250	FBB0202178
# 6	47.9	13/16"	1/4"	3	2.76	FBC0202256	FBB0202183
# 5	43	13/16"	1/4"	3	3.15	FBC0202262	FBB0202188
# 4	38.5	13/16"	1/4"	3	3.55	FBC0202268	FBB0202193
# 3	34.8	13/16"	1/4"	3	4.04	FBC0202274	FBB0202198
# 2	31.4	13/16"	1/4"	3	4.64	FBC0202280	FBB0202203
# 1	28.2	13/16"	1/4"	4	5.23	FBC0202286	FBB0202208
# 0	25.4	13/16"	1/4"	4	5.92	FBC0202292	FBB0202213

BSB

British brass threads

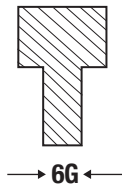
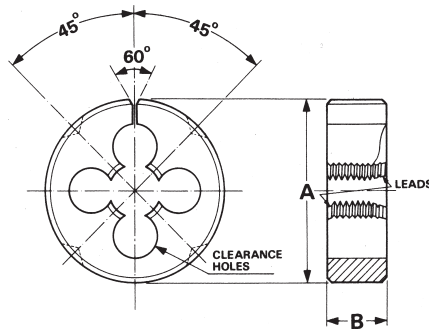


HSS

CS

BS
1127

6G

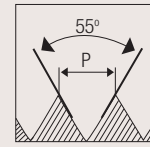


Unit : mm

Nominal Diameter ØD	TPI	Outer Diameter A	Thickness B	No. Clearance Hole	Threading Diameter	HSS	Carbon Steel
						EDP No	EDP No
1/4"	26	13/16"	1/4"	4	6.31	FBC0200371	FBB0200399
1/4"	26	1"	3/8"	4	6.31	FBC0200377	FBB0200403
5/16"	26	1"	3/8"	4	7.89	FBC0200383	FBB0200416
3/8"	26	1"	3/8"	4	9.48	FBC0200389	FBB0200425
7/16"	26	1.1/2"	1/2"	5	11.06	FBC0200395	FBB0200442
1/2"	26	1.1/2"	1/2"	5	12.64	FBC0200401	FBB0200455
9/16"	26	1.1/2"	1/2"	5	14.23	FBC0200407	FBB0200468
5/8"	26	1.1/2"	1/2"	5	15.81	FBC0200413	FBB0200476
3/4"	26	1.1/2"	1/2"	6	18.98	FBC0200419	FBB0200485

ME

Model engineer threads

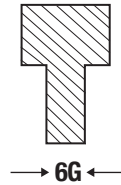
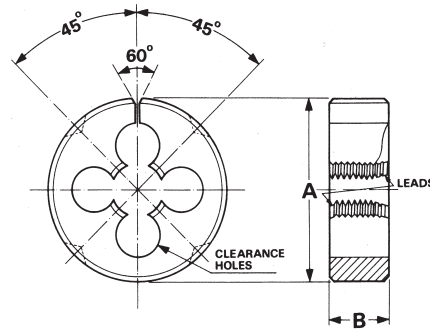


HSS

CS

BS
1127

6G

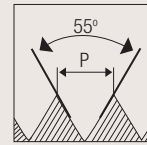


Unit : mm

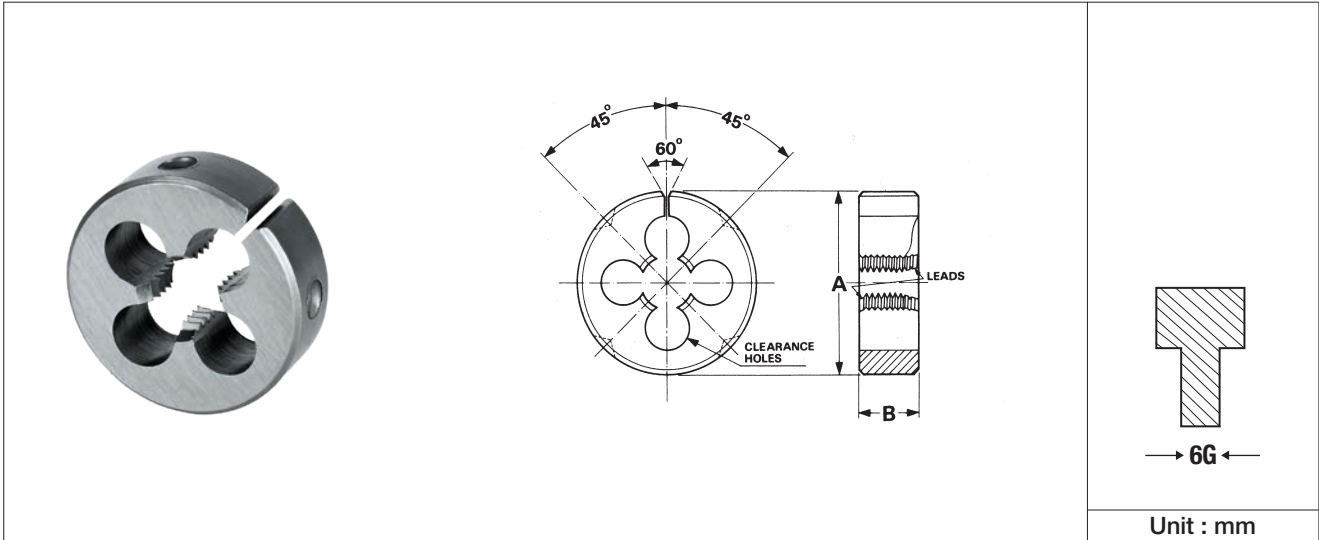
Nominal Diameter ØD	TPI	Outer Diameter A	Thickness B	No. Clearance Hole	Threading Diameter	HSS	Carbon Steel
						EDP No	EDP No
1/8"	40	13/16"	1/4"	3	3.14	FBC0200906	FBB0200888
5/32"	32	13/16"	1/4"	3	3.93	FBC0200912	FBB0200892
3/16"	40	13/16"	1/4"	3	4.72	FBC0200918	FBB0200897
7/32"	40	13/16"	1/4"	4	5.51	FBC0200924	FBB0200902
1/4"	40	13/16"	1/4"	4	6.31	FBC0200930	FBB0200911
1/4"	40	1"	3/8"	4	6.31	FBC0202482	FBB0200916
9/32"	32	1"	3/8"	4	7.10	FBC0200936	FBB0200928
5/16"	32	1"	3/8"	4	7.90	FBC0200948	FBB0200946
3/8"	32	1"	3/8"	4	9.48	FBC0200954	FBB0200953

WF

Whitworth fine special threads



HSS CS BS 1127 6G



→ 6G ←

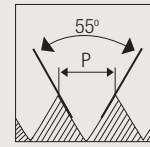
Unit : mm

Nominal Diameter ØD	TPI	Outer Diameter A	Thickness B	No. Clearance Hole	Threading Diameter	HSS	Carbon Steel
						EDP No	EDP No
11/64"	40	13/16"	1/4"	3	4.33	FBC0201032	FBB0201035
3/16"	28	13/16"	1/4"	3	4.73	FBC0201050	FBB0201045
13/64"	24	13/16"	1/4"	3	5.13	FBC0201038	FBB0201054
15/64"	28	13/16"	1/4"	4	5.92	FBC0201044	FBB0201068
1/4"	32	1"	3/8"	4	6.31	—	FBB0201083
9/32"	40	1"	3/8"	4	7.11	—	FBB0201087
5/16"	40	1"	3/8"	4	7.9	—	FBB0201091
3/8"	40	1"	3/8"	4	9.48	—	FBB0201095
7/16"	40	1.1/2"	1/2"	5	11.07	—	FBB0201107
1/2"	40	1.1/2"	1/2"	5	12.64	—	FBB0201131

DIES

BSP

British standard pipe threads

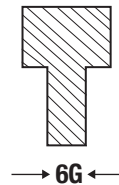
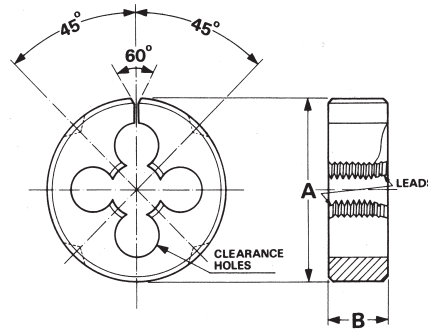


HSS

CS

BS
1127

6G

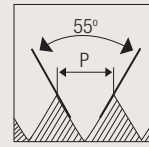


Unit : mm

Nominal Diameter ØD	TPI	Outer Diameter A	Thickness B	No. Clearance Hole	Threading Diameter	HSS	Carbon Steel
						EDP No	EDP No
1/8"	28	1"	3/8"	4	9.68	FBC0202117	FBB0202071
1/4"	19	1.1/2"	1/2"	5	13.11	FBC0202138	FBB0202088
3/8"	19	1.1/2"	1/2"	5	16.6	FBC0202149	FBB0202097
1/2"	14	1.1/2"	1/2"	6	20.89	FBC0202160	FBB0202106
1/2"	14	2"	5/8"	5	20.89	FBC0202166	FBB0202111
5/8"	14	2"	5/8"	6	22.84	FBC0202172	FBB0202116
3/4"	14	2"	5/8"	6	26.36	FBC0202178	FBB0202120
7/8"	14	2"	5/8"	6+6	30.11	FBC0202184	FBB0202125
1"	11	2"	5/8"	6+6	33.16	FBC0202190	FBB0202129
1.1/8"	11	2.1/2"	7/8"	6		FBM2300139	FBM2300426
1.1/4"	11	2.1/2"	7/8"	6		FBM2300140	FBM2300427
1.1/4"	11	3"	7/8"	6		FBM2300141	FBM2300428
1.3/8"	11	4"	1"			FBM2300142	FBM2300430
1.1/2"	11	4"	1"	6		FBM2300144	FBM2300431
1.3/4"	11	4"	1"			FBM2300145	FBM2300432
2"	11	4"	1"	6		FBM2300146	FBM2300433

BSPT

British standard taper pipe threads

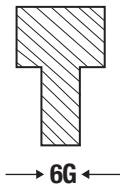
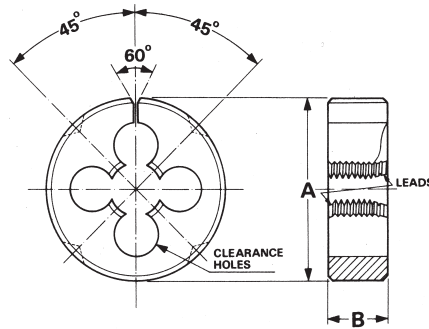


HSS

CS

BS
1127

6G

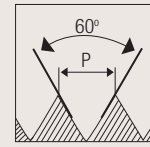


Unit : mm

Nominal Diameter ØD	TPI	Outer Diameter A	Thickness B	No. Clearance Hole	Threading Diameter	HSS	Carbon Steel
						EDP No	EDP No
1/8"	28	1"	10	4		FBM2300147	FBM2300434
1/8"	28	1.1/2"	10	4		FBM2300148	FBM2300435
1/4"	19	1.1/2"	14	4		FBM2300149	FBM2300437
3/8"	19	1.1/2"	14	5		FBM2300150	FBM2300439
3/8"	19	2"	14	5		FBM2300151	FBM2300440
1/2"	14	2"	19	5		FBM2300152	FBM2300441
3/4"	14	2"	20	6		FBM2300153	FBM2300442
3/4"	14	2.1/2"	22	6		FBM2300154	FBM2300443
1"	11	2.1/2"	25	6		FBM2300156	FBM2300444
1"	11	3"	25	6		FBM2300157	FBM2300445
1.1/4"	11	3"	25	6		FBM2300159	FBM2300446
1.1/2"	11	4"	25	6		FBM2300160	FBM2300447
2"	11	4"	27	6		FBM2300161	FBM2300448

UNC

Unified coarse threads

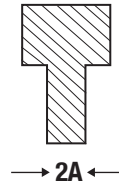
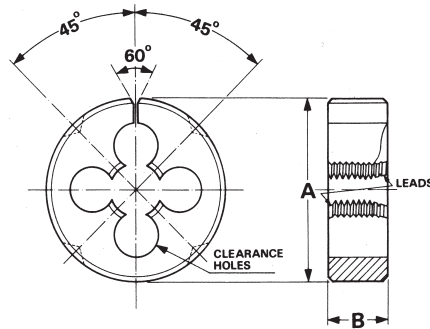


HSS

CS

BS
1127

2A

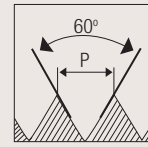
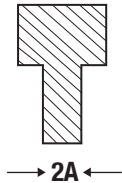
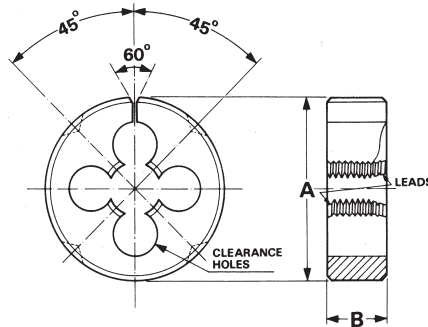


Unit : mm

Nominal Diameter ØD	TPI	Outer Diameter A	Thickness B	No. Clearance Hole	Threading Diameter	HSS	Carbon Steel
						EDP No	EDP No
# 4	40	13/16"	1/4"	3	2.83	FBC0200682	FBB0200706
# 5	40	13/16"	1/4"	3	3.15	FBC0200688	FBB0200714
# 6	32	13/16"	1/4"	3	3.48	FBC0200704	FBB0200722
# 8	32	13/16"	1/4"	3	4.14	FBC0200715	FBB0200730
# 10	24	13/16"	1/4"	3	4.79	FBC0200726	FBB0200738
# 12	24	13/16"	1/4"	4	5.45	FBC0200742	FBB0200750
1/4"	20	13/16"	1/4"	4	6.31	FBC0200747	FBB0200758
1/4"	20	1"	3/8"	4	6.31	FBC0200753	FBB0200766
5/16"	18	1"	3/8"	4	7.89	FBC0200769	FBB0200782
3/8"	16	1"	3/8"	4	9.47	FBC0200791	FBB0200799
7/16"	14	1.1/2"	1/2"	4	11.05	FBC0200817	FBB0200824
1/2"	13	1.1/2"	1/2"	4	12.62	FBC0200843	FBB0200840
9/16"	12	1.1/2"	1/2"	5	14.21	FBC0200859	FBB0200852
5/8"	11	1.1/2"	1/2"	5	15.79	FBC0200865	FBB0200860
3/4"	10	1.1/2"	1/2"	6	18.96	FBC0200882	FBB0200872

UNC

Unified coarse threads

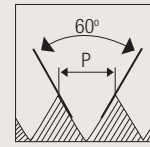

HSS
CS
**BS
1127**
2A


Unit : mm

Nominal Diameter ØD	TPI	Outer Diameter A	Thickness B	No. Clearance Hole	Threading Diameter	HSS	Carbon Steel
						EDP No	EDP No
7/8"	9	2"	5/8"	5	22.14	FBC0200894	FBB0200880
1"	8	2"	5/8"	6	25.3	FBC0200900	FBB0200884
1.1/8"	7	2.1/4"	11/16"	6		FBM2300048	FBM2300322
1.1/4"	7	2.1/4"	11/16"	6		FBM2300050	FBM2300325
1.3/8"	6	2.1/2"	7/8"	6		FBM2300054	FBM2300327
1.1/2"	6	2.1/2"	7/8"	6		FBM2300056	FBM2300329
1.1/2"	6	3"	7/8"	6		FBM2300057	FBM3000530
1.3/4"	5	4"	1"	8		FBM2300058	FBM2300330
2"	4.5	4"	1"	6		FBM2300059	FBM2300331

UNF

Unified fine threads

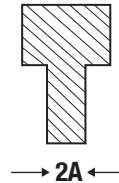
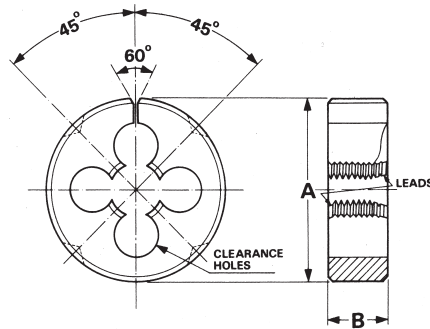


HSS

CS

BS
1127

2A

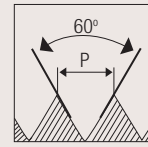


Unit : mm

Nominal Diameter ØD	TPI	Outer Diameter A	Thickness B	No. Clearance Hole	Threading Diameter	HSS	Carbon Steel
						EDP No	EDP No
# 3	56	13/16"	1/4"	3		FBC0200437	FBB0200498
# 4	48	13/16"	1/4"	3	2.83	FBC0200443	FBB0200502
# 5	44	13/16"	1/4"	3	3.16	FBC0200449	FBB0200506
# 6	40	13/16"	1/4"	3	3.48	FBC0200465	FBB0200514
# 8	36	13/16"	1/4"	3	4.14	FBC0200476	FBB0200522
# 10	32	13/16"	1/4"	3	4.8	FBC0200487	FBB0200530
# 12	28	13/16"	1/4"	4	5.46	FBC0200498	FBB0200542
1/4"	28	13/16"	1/4"	4	6.32	FBC0200515	FBB0200550
1/4"	28	1"	3/8"	4	6.32	FBC0200527	FBB0200558
5/16"	24	1"	3/8"	4	7.9	FBC0200538	FBB0200578
3/8"	24	1"	3/8"	4	9.48	FBC0200560	FBB0200599
7/16"	20	1.1/2"	1/2"	4	11.06	FBC0200586	FBB0200627
1/2"	20	1.1/2"	1/2"	5	12.65	FBC0200607	FBB0200647
9/16"	18	1.1/2"	1/2"	5	14.23	FBC0200618	FBB0200660
5/8"	18	1.1/2"	1/2"	5	15.82	FBC0200629	FBB0200669
3/4"	16	1.1/2"	1/2"	6	18.99	FBC0200646	FBB0200682

UNF

Unified fine threads

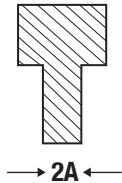
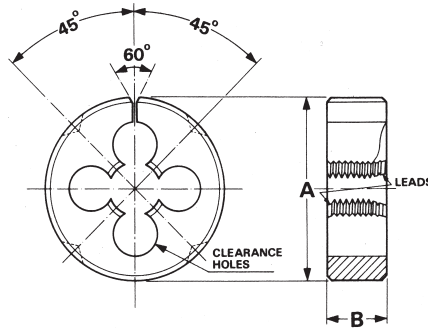


HSS

CS

BS
1127

2A

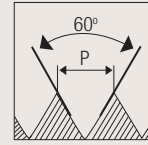
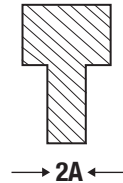
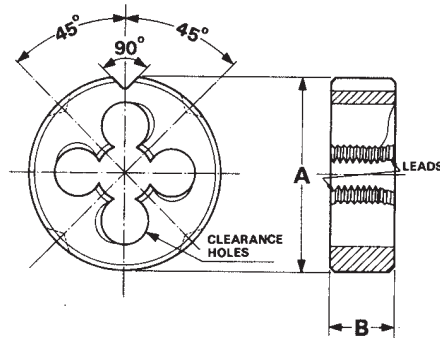


Unit : mm

Nominal Diameter	Pitch	Outer Diameter	Thickness	No. Clearance Hole	Threading Diameter	HSS	Carbon Steel
						EDP No	EDP No
ØD	TPI	A	B				
7/8"	14	2"	5/8"	5	22.13	FBC0200658	FBB0200690
1"	12	2"	5/8"	6	25.31	FBC0200664	FBB0200694
1.1/8"	12	2.1/4"	11/16"	6		FBM2300034	FBM2300314
1.1/4"	12	2.1/4"	11/16"	6		FBM2300037	FBM2300317
1.3/8"	12	2.1/2"	7/8"	6		FBM2300041	-
1.1/2"	12	2.1/2"	7/8"	6		FBM2300043	FBM2300319
1.1/2"	12	3"	7/8"	6		FBM2300044	FBM2300320
1.3/4"	14	4"	1"	6		FBM2300046	FBM2300647
2"	-	4"	1"	6		FBM2300047	FBM2300321

NPT

National taper pipe threads

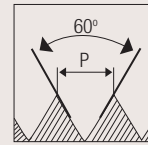

HSS
CS
**BS
1127**
2A


Unit : mm

Nominal Diameter ØD	TPI	Outer Diameter A	Thickness B	No. Clearance Hole	Threading Diameter	HSS	Carbon Steel
						EDP No	EDP No
1/8"	27	1"	10	4		FBM2300162	FBM2300449
1/8"	27	1.1/2"	10	4		FBM2300163	FBM2300450
1/4"	18	1.1/2"	15	4		FBM2300164	FBM2300453
3/8"	18	1.1/2"	15	5		FBM2300165	FBM2300456
3/8"	18	2"	14	5		FBM2300166	FBM2300457
1/2"	14	2"	19	5		FBM2300167	FBM2300459
3/4"	14	2"	20	6		FBM2300168	FBM2300461
3/4"	14	2.1/2"	22	6		FBM2300169	FBM2300462
1"	11.1/2	2.1/2"	25	6		FBM2300171	FBM2300464
1"	11.1/2	3"	25	6		FBM2300172	FBM2300465
1.1/4"	11.1/2	3"	25	6		FBM2300173	FBM2300467
1.1/2"	11.1/2	4"	25	6		FBM2300174	FBM2300468
2"	11.1/2	4"	27	6		FBM2300175	FBM2300469

M

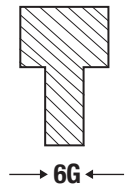
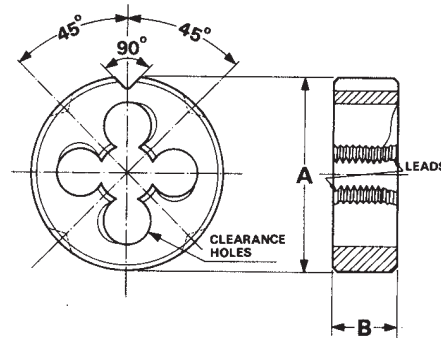
Metric coarse threads



HSS

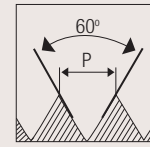
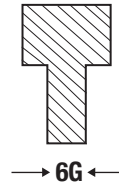
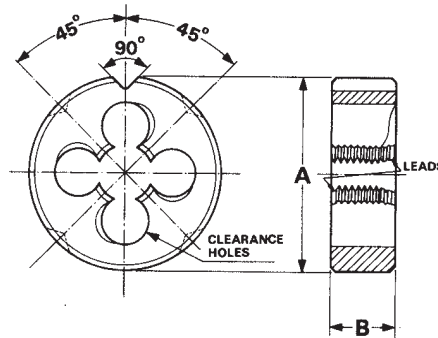
DIN 22568

6G



Unit : mm

Nominal Diameter ØD	TPI	Outer Diameter A	Thickness B	No. Clearance Hole	Threading Diameter	HSS
						EDP No
M3	0.5	20	5	3	2.92	FBC0202397
M3.5	0.6	20	5	3	3.41	FBC3202399
M4	0.7	20	5	3	3.9	FBC0202401
M4.5	0.75	20	7	3	4.4	FBC3202404
M5	0.8	20	7	3	4.9	FBC0202408
M6	1	20	7	4	5.88	FBC0202414
M7	1	25	9	4	6.88	FBC3202478
M8	1.25	25	9	4	7.86	FBC0202423
M9	1.25	25	9	4	8.86	FBC3202479
M10	1.5	30	11	4	9.85	FBC0202498
M11	1.5	30	11	4	10.85	FBC3202480
M12	1.75	38	14	4	11.83	FBC0202443
M14	2	38	14	4	13.82	FBC0202451
M16	2	45	18	5	15.82	FBM3200278
M18	2.5	45	18	5	17.79	FBM3200282
M20	2.5	45	18	5	19.79	FBM2300611
M22	2.5	55	22	5	21.79	FBC3202481
M24	3	55	22	5	23.76	FBM3200291

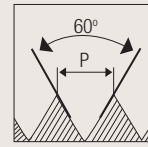
MF
Metric fine threads

HSS
**DIN
22568**
6G


Unit : mm

Nominal Diameter	TPI	Outer Diameter	Thickness	No. Clearance Hole	Threading Diameter	HSS
						EDP No
ØD		A	B			
M3.5	0.6	20	5	3	3.43	FBC3202465
M4	0.5	20	5	4	3.92	FBC3202400
M4.5	0.5	20	5	4	4.43	FBC3202466
M5	0.5	20	5	4	4.92	FBC3202405
M5	0.75	20	5	4	4.91	FBC3202406
M5.5	0.75	20	7	4	5.43	FBC3202467
M6	0.5	20	7	4	5.92	FBC3202411
M6	0.75	20	7	4	5.9	FBC3202413
M7	0.75	25	9	4	6.9	FBC3202418
M8	0.5	25	9	4	7.92	FBC3202468
M8	0.75	25	9	4	7.9	FBC3202419
M8	1	25	9	4	7.88	FBC3202421
M9	0.75	25	9	4	8.9	FBC3202469
M9	1	25	9	4	8.88	FBC3202426
M10	0.75	30	11	4	9.9	FBC3202470
M10	1	30	11	5	9.88	FBC3202428
M10	1.25	30	11	4	9.86	FBC3202430
M11	0.75	30	11	5	10.91	FBC3202471
M11	1	30	11	4	10.88	FBC3202435
M12	1	38	10	4	11.88	FBC0202551
M12	1.25	38	10	4	11.86	FBC3202439
M12	1.5	38	10	4	11.85	FBC3202441
M14	1	38	10	5	13.88	FBC3202447

MF

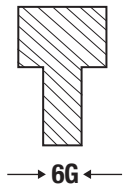
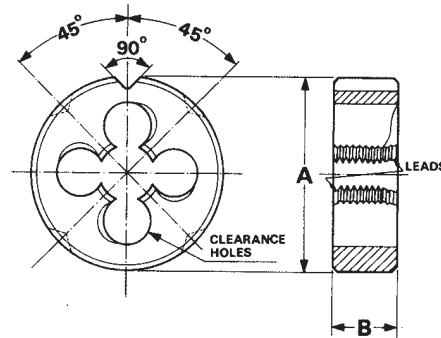
Metric fine threads



HSS

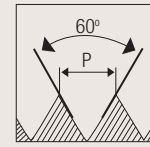
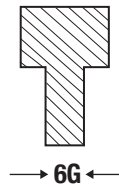
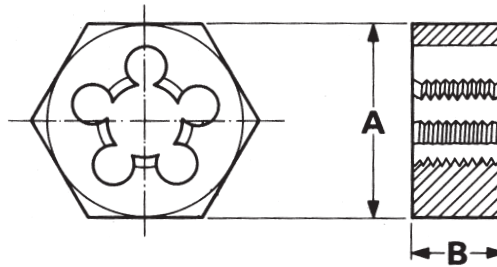
DIN 22568

6G



Unit : mm

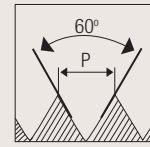
Nominal Diameter ØD	TPI	Outer Diameter A	Thickness B	No. Clearance Hole	Threading Diameter	HSS
						EDP No
M14	1.5	38	10	5	13.85	FBC3202449
M15	1	38	10	5	14.88	FBC3202472
M15	1.5	38	10	5	14.85	FBC3202473
M16	1	45	14	5	15.88	FBM3200276
M16	1.5	45	14	5	15.85	FBM3200277
M17	1	45	14	5	16.88	FBC3202474
M17	1.5	45	14	5	16.85	FBC3202475
M18	1	45	14	5	17.88	FBM3200280
M18	1.5	45	14	5	17.85	FBM3200281
M18	2	45	14	5	17.82	FBC3202476
M20	1	45	14	6	19.8	FBM3200283
M20	1.5	45	14	6	19.85	FBM3200284
M20	2	45	14	6	19.82	FBM3200285
M22	1	55	16	6	21.88	FBM2400492
M22	1.5	55	16	6	21.85	FBM3200288
M22	2	55	16	6	21.82	FBC3202477
M24	1	55	16	6	21.88	FBM3200289
M24	1.5	55	16	6	23.85	FBM3200290
M24	2	55	16	6	23.82	FBM2400496
M25	1	55	16	6	24.88	FBM2400627
M25	1.5	55	16	6	24.85	FBM2400498
M25	2	55	16	6	24.82	FBM2400628
M26	1.5	55	16	6	25.85	FBM2400629

M
Metric coarse threads

HSS
CS
**BS
1127**
6G

Unit : mm

Nominal Diameter	Pitch	Across Flat	Thickness	HSS	Carbon Steel
ØD	p	A		EDP No	EDP No
M 2	0.4	0.710"	6.35	FBE2300078	FBD2300122
M 2.5	0.45	0.710"	6.35	FBE2300079	FBD2300123
M 3	0.5	0.710"	6.35	FBE2300080	FBD2300124
M 4	0.7	0.710"	6.35	FBE2300081	FBD2300127
M 5	0.8	0.710"	6.35	FBE2300082	FBD2300130
M 6	1	0.710"	6.35	FBE2300084	FBD2300135
M 7	1	0.710"	6.35	FBE2300085	FBD2300136
M 8	1.25	0.820"	7.94	FBE2300087	FBD2300139
M 9	1.25	0.920"	9.53	FBE2300088	FBD2300140
M 10	1.5	0.920"	9.53	FBE2300091	FBD2300144
M 12	1.75	1.100"	12.70	FBE2300096	FBD2300150
M 14	2	1.300"	15.88	FBE2300098	FBD2300154
M 16	2	1.300"	15.88	FBE2300100	FBD2300160
M 18	2.5	1.480"	17.46	FBE2300102	FBD2300163
M 20	2.5	1.480"	17.46	FBE2300104	FBD2300166
M 22	2.5	1.670"	20.63	FBE2300106	FBD2300169
M 24	3	2.050"	23.81	FBE2300108	FBD2300172
M 27	3	2.220"	26.99	FBE2300110	FBD2300176
M 30	3.5	2.220"	26.99	FBE2300112	FBD2300182
M 36	4	2.760"	31.75	FBE2300113	FBD2300191
M 39	4	2.760"	31.75	FBE2300115	FBD2300194
M 42	4.5	3.150"	31.75 44.45	FBE2300366	FBD2300198
M 45	4.5	3.150"	31.75 44.45	-	FBD2300201
M 48	5	3.150"	31.75 44.45	-	FBD2300203

MF

Metric fine threads

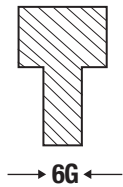
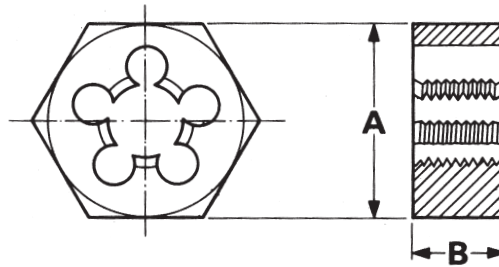


HSS

CS

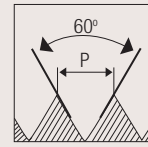
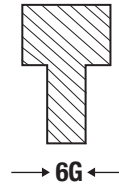
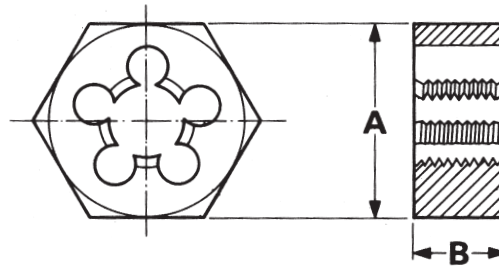
BS
1127

6G



Unit : mm

Nominal Diameter	Pitch	Across Flat	Thickness	HSS	Carbon Steel
ØD	p	A		EDP No	EDP No
M 3	0.6	0.710"	6.35	–	FBD2300125
M 3.5	0.6	0.710"	6.35	–	FBD2300126
M 4	0.75	0.710"	6.35	–	FBD2300128
M 5	0.5	0.710"	6.35	–	FBD2300129
M 6	0.75	0.710"	6.35	FBE2300083	FBD2300134
M 7	1	0.710"	6.35	FBE2300085	FBD2300136
M 8	1	0.820"	7.94	FBE2300086	FBD2300138
M 9	1.25	0.920"	9.53	FBE2300088	FBD2300140
M 10	1	0.920"	9.53	FBE2300089	FBD2300142
M 10	1.25	0.920"	9.53	FBE2300090	FBD2300143
M 11	1.5	1.010"	11.11	FBE2300092	FBD2300146
M 12	1	1.100"	12.70	FBE2300093	FBD2300147
M 12	1.25	1.100"	12.70	FBE2300094	FBD2300148
M 12	1.5	1.100"	12.70	FBE2300095	FBD2300149

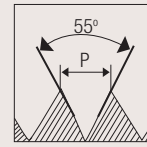
MF
Metric fine threads

HSS
CS
**BS
1127**
6G


Unit : mm

Nominal Diameter ØD	Pitch p	Across Flat A	Thickness	HSS	Carbon Steel
				EDP No	EDP No
M 14	1.25	1.300"	15.88	–	FBD2300152
M 14	1.5	1.300"	15.88	FBE2300097	FBD2300153
M 16	1.5	1.300"	15.88	FBE2300099	FBD2300158
M 18	1.5	1.480"	17.46	FBE2300101	FBD2300162
M 20	1.5	1.480"	17.46	FBE2300103	FBD2300164
M 22	1.5	1.670"	20.63	FBE2300105	FBD2300167
M 24	1.5	2.050"	23.81	FBE2300107	FBD2300170
M 25	1.5	2.220"	26.99	–	FBD2300173
M 27	1.5	2.220"	26.99	FBE2300109	FBD2300174
M 27	2	2.220"	26.99	–	FBD2300175
M 30	1.5	2.220"	26.99	FBE2300111	FBD2300179
M 30	2	2.220"	26.99	–	FBD2300180
M 30	3	2.220"	26.99	–	FBD2300181
M 32	1.5	2.220"	26.99	–	FBD2300183
M 33	3.5	2.580"	28.58	–	FBD2300187

BSW

Whitworth coarse threads

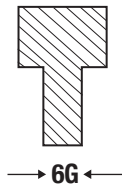
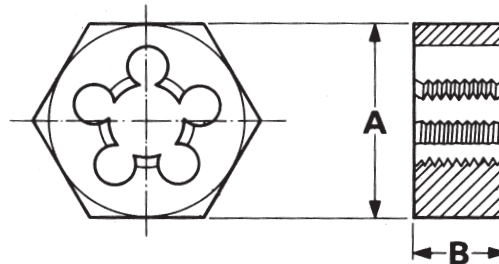


HSS

CS

BS
1127

6G



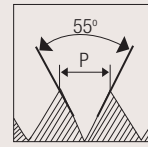
Unit : mm

Nominal Diameter ØD	TPI	Across Flat	Thickness	HSS	Carbon Steel
		A		EDP No	EDP No
1/8"	40	0.710"	6.35	FBE2300001	FBD2300001
5/32"	32	0.710"	6.35	FBE2300002	FBD2300002
3/16"	24	0.710"	6.35	FBE2300003	FBD2300003
7/32"	24	0.710"	6.35	-	FBD2300004
1/4"	20	0.710"	6.35	FBE2300004	FBD2300005
9/32"	20	0.820"	7.94	-	FBD2300006
5/16"	18	0.820"	7.94	FBE2300005	FBD2300007
3/8"	16	0.920"	9.53	FBE2300006	FBD2300008
7/16"	14	1.010"	11.11	FBE2300007	FBD2300009
1/2"	12	1.100"	12.70	FBE2300008	FBD2300010
9/16"	12	1.300"	15.88	FBE2300009	FBD2300011
5/8"	11	1.300"	15.88	FBE2300010	FBD2300012
3/4"	10	1.480"	17.46	FBE2300011	FBD2300013
7/8"	9	1.670"	20.63	FBE2300012	FBD2300014
1"	8	2.050"	23.81	FBE2300013	FBD2300015
1.1/8"	7	2.220"	26.99	FBE2300014	FBD2300016
1.1/4"	7	2.220"	26.99	FBE2300015	FBD2300017
1.3/8"	6	2.580"	28.58	FBE2300016	FBD2300018
1.1/2"	6	2.760"	31.75	FBE2300017	FBD2300019
1.3/4"	6	3.150"	31.75 44.45	FBE2300018	FBD2300021
2"	4.1/2	3.550"	31.75 44.45	FBE2300019	FBD2300022

DIES

BSF

Whitworth fine threads

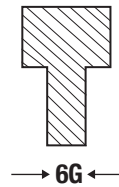
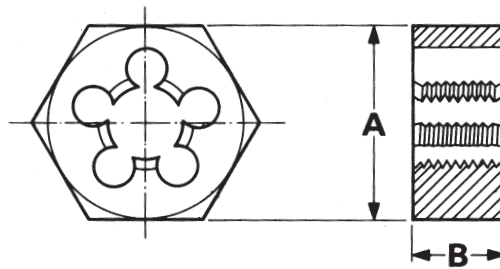


HSS

CS

BS
1127

6G

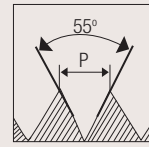


Unit : mm

Nominal Diameter	TPI	Across Flat	Thickness	HSS	Carbon Steel
ØD		A		EDP No	EDP No
3/16"	32	0.710"	6.35	FBE2300022	FBD2300026
7/32"	28	0.710"	6.35	-	FBD2300027
1/4"	26	0.710"	6.35	FBE2300023	FBD2300028
5/16"	22	0.820"	7.94	FBE2300024	FBD2300029
3/8"	20	0.920"	9.53	FBE2300025	FBD2300030
7/16"	18	1.010"	11.11	FBE2300026	FBD2300031
1/2"	16	1.100"	12.70	FBE2300027	FBD2300032
9/16"	16	1.300"	15.88	FBE2300346	FBD2300033
5/8"	14	1.300"	15.88	FBE2300028	FBD2300034
3/4"	12	1.480"	17.46	FBE2300029	FBD2300035
7/8"	11	1.670"	20.63	FBE2300030	FBD2300036
1"	10	2.050"	23.81	FBE2300031	FBD2300037

BSP

British standard pipe threads

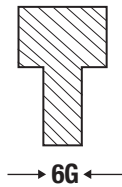
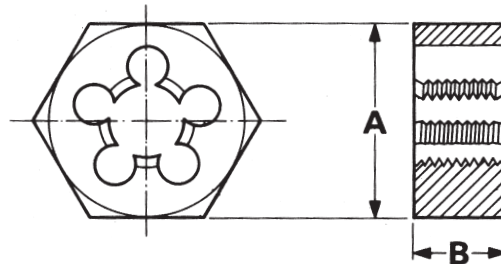


HSS

CS

BS
1127

6G

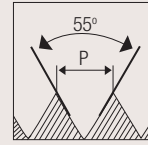


Unit : mm

Nominal Diameter ØD	TPI	Across Flat	Thickness	HSS	Carbon Steel
		A		EDP No	EDP No
1/8"	28	0.920"	9.53	FBE2300067	FBD2300094
1/4"	19	1.100"	12.70	FBE2300068	FBD2300095
3/8"	19	1.300"	15.88	FBE2300069	FBD2300096
1/2"	14	1.670"	20.63	FBE2300070	FBD2300097
5/8"	14	1.670"	20.63	FBE2300071	FBD2300098
3/4"	14	2.050"	23.81	FBE2300072	FBD2300099
7/8"	14	2.220"	26.99	-	FBD2300100
1"	11	2.580"	28.58	FBE2300073	FBD2300101
1.1/4"	11	2.760"	31.75	FBE2300078	FBD2300102
1.1/2"	11	3.150"	31.75 44.45	FBE2300075	FBD2300104
2"	11	3.890"	31.75 44.45	FBE2300077	FBD2300106

BSPT

British standard taper pipe threads

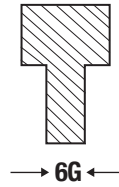
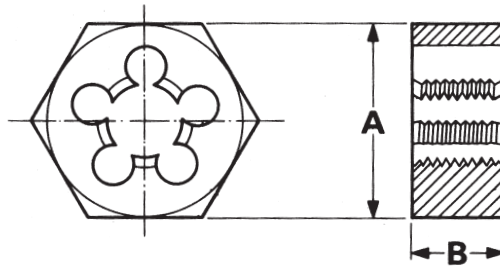


HSS

CS

BS
1127

6G

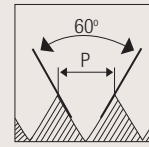


Unit : mm

Nominal Diameter ØD	TPI	Across Flat	Thickness	HSS	Carbon Steel
		A		EDP No	EDP No
1/8"	28	0.920"	10	FBE2300367	FBD2300107
1/4"	19	1.100"	14	FBE2300368	FBD2300108
3/8"	19	1.300"	14	FBE2300369	FBD2300109
1/2"	14	1.670"	19	–	FBD2300110
3/4"	14	2.050"	20	–	FBD2300111
1"	11	2.580"	25	–	FBD2300112

UNC

Unified coarse threads

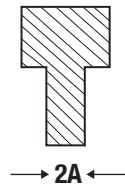
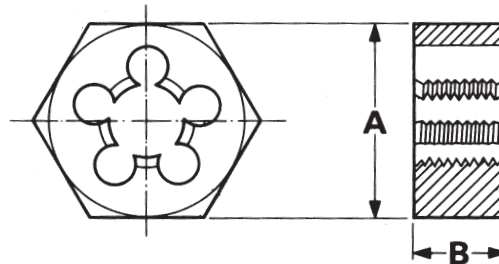


HSS

CS

BS
1127

2A

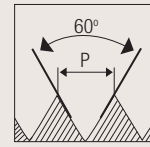


Unit : mm

Nominal Diameter	TPI	Across Flat	Thickness	HSS	Carbon Steel
ØD		A		EDP No	EDP No
# 5	40	0.710"	6.35	-	FBD2300042
# 6	32	0.710"	6.35	-	FBD2300043
# 8	32	0.710"	6.35	-	FBD2300044
# 10	24	0.710"	6.35	-	FBD2300045
# 12	24	0.710"	6.35	-	FBD2300046
1/4"	20	0.710"	6.35	FBE2300033	FBD2300048
5/16"	18	0.820"	7.94	FBE2300034	FBD2300049
3/8"	16	0.920"	9.53	FBE2300035	FBD2300050
7/16"	14	1.010"	11.11	FBE2300036	FBD2300051
1/2"	13	1.100"	12.70	FBE2300037	FBD2300052
9/16"	12	1.300"	15.88	FBE2300038	FBD2300053
5/8"	11	1.300"	15.88	FBE2300039	FBD2300054
3/4"	10	1.480"	17.46	FBE2300040	FBD2300055
7/8"	9	1.670"	20.63	FBE2300041	FBD2300056
1"	8	2.050"	23.81	FBE2300042	FBD2300057
1.1/8"	7	2.220"	26.99	FBE2300043	FBD2300058
1.1/4"	7	2.220"	26.99	FBE2300044	FBD2300059
1.3/8"	6	2.580"	28.58	FBE2300045	FBD2300060
1.1/2"	6	2.760"	31.75	FBE2300046	FBD2300061

UNF

Unified fine threads

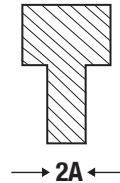
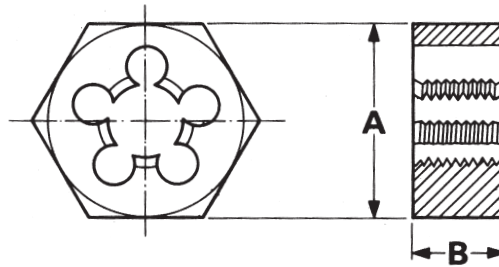


HSS

CS

BS
1127

2A

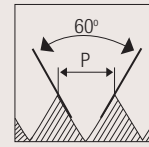


Unit : mm

Nominal Diameter ØD	TPI	Across Flat A	Thickness	HSS	Carbon Steel
				EDP No	EDP No
# 5	44	0.710"	6.35	–	FBD2300066
# 6	40	0.710"	6.35	–	FBD2300067
# 8	36	0.710"	6.35	–	FBD2300068
# 10	32	0.710"	6.35	FBE2300049	FBD2300069
# 12	28	0.710"	6.35	–	FBD2300070
1/4"	28	0.710"	6.35	FBE2300051	FBD2300072
5/16"	24	0.820"	7.94	FBE2300052	FBD2300073
3/8"	24	0.920"	9.53	FBE2300053	FBD2300074
7/16"	20	1.010"	11.11	FBE2300054	FBD2300075
1/2"	20	1.100"	12.70	FBE2300055	FBD2300076
9/16"	18	1.300"	15.88	FBE2300056	FBD2300077
5/8"	18	1.300"	15.88	FBE2300057	FBD2300078
3/4"	16	1.480"	17.46	FBE2300058	FBD2300079
7/8"	14	1.670"	20.63	FBE2300059	FBD2300080
1"	12	2.050"	23.81	FBE2300060	FBD2300081
1.1/8"	12	2.220"	26.99	FBE2300061	FBD2300082
1.1/4"	12	2.220"	26.99	FBE2300062	FBD2300083
1.3/8"	12	2.580"	28.58	FBE2300063	FBD2300084
1.1/2"	12	2.760"	31.75	FBE2300064	FBD2300085

NPT

National taper pipe threads

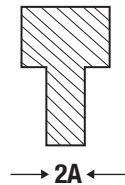
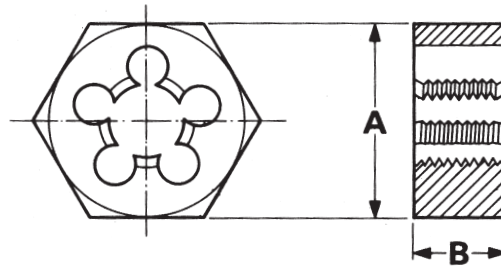


HSS

CS

BS
1127

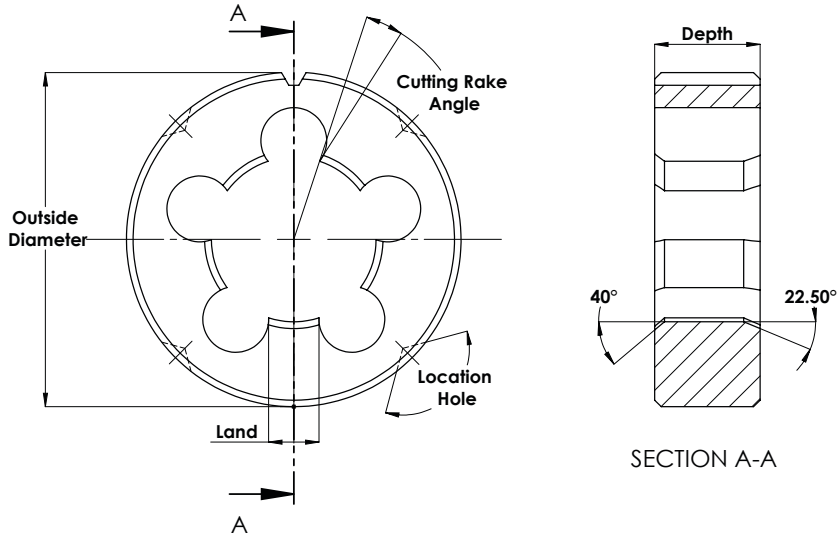
2A



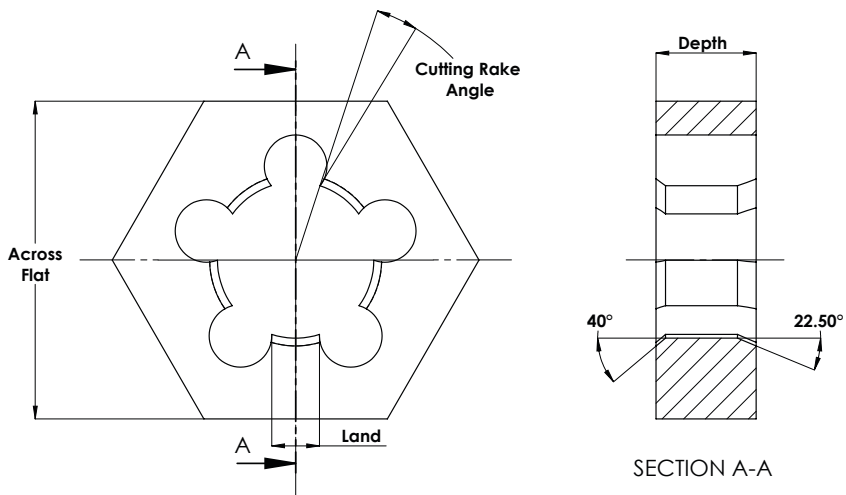
Unit : mm

Nominal Diameter ØD	TPI	Across Flat	Thickness	HSS	Carbon Steel
		A		EDP No	EDP No
1/8"	27	0.920"	10	FBE2300370	FBD2300114
1/4"	18	1.100"	15	FBE2300371	FBD2300115
3/8"	18	1.300"	15	FBE2300372	FBD2300116
1/2"	14	1.670"	19	FBE2300373	FBD2300117
3/4"	14	2.050"	20	FBE2300374	FBD2300118
1"	11.1/2	2.580"	25	FBE2300375	FBD2300119
1.1/2"	11.1/2	3.150"		FBE2300376	FBD2300121
2"	11.1/2	3.890"		FBE2300379	-

Round dies nomenclature



Hexagonal dies nomenclature



Dos and dont's - threading with dies

- **CHAMFER:** Make a chamfer at the end of the bar at an angle of 45 degrees to remove sudden loading of the leading edges. This has to be done before starting the die or die nut. Also it has to be made certain that the die or die nut is presented to the bolt squarely.
- **TOLERANCE:** Major diameter of the bolt usually has large tolerances. Use this to your advantage by reducing the diameter of the bar. Thus, the cutting force will be reduced to a minimum. If tolerance class is not specified, consider tolerance applicable for medium range i.e. 6H and 6G.
- **SWarf:** To direct the swarf away from cutting area, it is always preferable to use the gun nose type of die.
- **LUBRICANT:** The cutting area should always be supplied with a steady flow of the correct lubricant.
- **SPLIT DIES:** To avoid rubbing, the adjustable split die should not open out. Move the adjustable screws equally by say, 0.15 mm to close the split die. If it is done unequally, there may be pressure on one side which may lead to breakage.
- **CLEANING:** As a norm, die nuts are used for cleaning out existing threads. Usually the process is done by hand. Avoid using die nuts for thread cutting unless it is an exception.
- **RAKE ANGLE:** Large rake angle for long chip formation whereas a small rake angle for short chip formation. Its applicable and or workpiece material isn't specified, assume it as intermediate tensile strength.

THIS PAGE IS INTENTIONALLY KEPT BLANK

THIS PAGE IS INTENTIONALLY KEPT BLANK

THIS PAGE IS INTENTIONALLY KEPT BLANK



FORBES PRECISION TOOLS AND MACHINE PARTS LIMITED

VISION

To be a market leader by empowering customers with innovative solutions in precision cutting tools and machine parts through world-class practices.

MISSION

- To inculcate innovation led organizational culture to be a front runner in the field of technology
- To add value to the customer's business while adhering to our core value of QPD: Quality, Price, Delivery and 5C's: Convenience, Comfort, Care, Commitment and Customer Satisfaction (Customer Delight)
- To develop a strong inhouse Design and Development skill set to enhance the Quality of Solutions
- To establish the cost leadership through World Class Manufacturing and Operational Excellence
- To be accountable towards the interest of all stakeholders, environment and society at large through all our actions and decisions.

REGISTERED OFFICE

Forbes Building, Charanjit Rai Marg, Fort, Mumbai - 400 001 Telephone: +91 (0) 22 69138900

DIVISIONAL SALES OFFICES ADDRESS / PH. NO.

AHMEDABAD

1st Floor, Pran Vijay Building,
Opp. Bata Showroom, Near Times Of India,
Ashram Road, Ahmedabad - 380 009
Telephone: +91 (0) 79 - 26587769, 079 - 26583753

BENGALURU

24, 3rd Floor, Classic Building, Richmond Road,
Bangaluru – 560 025.
Telephone +91 80 25258713

CHENNAI

Ground Floor, Catholic Centre 108,
Armenian Street, Broadway,
Chennai - 600 001
Tel: 044-25390259 / 80126 96089

NEW DELHI

Flat No. 8F, 8th Floor,
Vandana Building, Tolstoy Marg,
New Delhi - 110 001

JAMSHEDPUR

Office No.- 6, Second Floor, Dream Heights
Q-Road, South Park, Bistupur
Jamshedpur Pin - 831 001 (Jharkhand)
Telephone: 0657-2914636

PUNE

H.No.1195/5, Bhosale Heights, 4th Floor,
Opp. Deendayal Hospital, Fergusson College Road,
Pune 411 005
Telephone: +91 (0) 20 48509111

CHHATRAPATI SAMBHAJINAGAR

B 13, Waluj MIDC,
Chhatrapati Sambhajinagar - 431 133
Telephone: +91 (0) 240 2553422



REGISTERED OFFICE

Forbes Precision Tools and Machine Parts Limited

Forbes Building, Charanjit Rai Marg, Fort, Mumbai 400 001

Telephone: +91 (0) 22 69138900

Email: sales@forbesprecision.co.in

Website: www.forbesprecision.co.in

CIN: L29256MH2022PLC389649